



Project:	Type:
Prepared By:	Date:

Driver Info		LED Info	
Type	Constant Current	Watts	50/40/30W
120V	0.42A/0.34A/0.25A	Color Temp	3500K/4000K/5000K
208V	0.25A/0.20A/0.15A	Color Accuracy	82-86 CRI
240V	0.22A/0.17A/0.13A	L70 Lifespan	50,000 Hours
277V	0.19A/0.15A/0.11A	Lumens	3,662-5,873 lm
Input Watts	50/40/30W	Efficacy	115.4-128.1 lm/W

Technical Specifications

Field Adjustability

Field Adjustable:

Field Adjustable Light Output:
50W/40W/30W (factory default 50W)
Color temperature selectable by 5000K, 4000K and 3500K (factory default 4000K)

Compliance

UL Listed:

Suitable for damp locations

DLC Listed:

This product is on the Design Lights Consortium (DLC) Qualified Products List and is eligible for rebates from DLC Member Utilities. Designed to meet DLC 5.1 requirements.
DLC Product Code: S-OZBJQS (Low-Bay Luminaires for Commercial and Industrial Buildings)
DLC Product Code: S-Y281AB (Direct Linear Ambient Luminaires)

Electrical

Driver:

Constant Current, Class 2, Class P, 120-277V, 50/60 Hz
50W: 120V: 0.42A, 208V: 0.25A, 240V: 0.22A, 277V: 0.19A
40W: 120V: 0.34A, 208V: 0.2A, 240V: 0.17A, 277V: 0.15A
30W: 120V: 0.25A, 208V: 0.15A, 240V: 0.13A, 277V: 0.11A

Dimming Driver:

Driver includes dimming control wiring for 0-10V dimming systems. Requires separate 0-10V DC dimming circuit. Dims down to 10%.

THD:

6.6% at 120V, 14.51% at 277V

Power Factor:

99.56% at 120V, 95.91% at 277V

Surge Protection:

L-N: 1KV
L/N-PG: 2KV

Battery Backup:

Battery backup will operate the fixture for 90 minutes if power fails. Wired for 120-277V.

Battery Backup Light Loss Factor:

50W: 0.19
40W: 0.24
30W: 0.31

Performance

Lifespan:

50,000-Hour LED lifespan based on IES LM-80 results and TM-21 calculations

Wattage Equivalency:

50W: Replaces up to (3) F32T8
40W: Replaces up to (2) F32T8
30W: Replaces up to (2) F32T8

LED Characteristics

LEDs:

Long-life, high-efficiency, surface-mount LEDs

Color Uniformity:

RAB's range of Correlated Color Temperature follows the guidelines of the American National Standard for Specifications for the Chromaticity of Solid State Lighting (SSL) Products, ANSI C78.377-2017.

Construction

Cold Weather Starting:

The minimum starting temperature is 0°C (32°F)

Maximum Ambient Temperature:

Suitable for use in up to 50°C (122°F)

Housing:

Color coated steel sheets

Lens:

Polycarbonate lens

Technical Specifications (continued)**Mounting:**

Surface mount. Can be mounted with v-hooks (ordered separately).

Finish:

Formulated for high durability and long-lasting color

Green Technology:

Mercury and UV free. RoHS-compliant components.

Sensor Specifications**Operating Voltage:**

12V DC

Operating Current:

≤25mA

Output:

Dim/0-10V

Microwave Frequency:

5.8GHz±75MHz

Microwave Power:

<0.3mW

Stand-by Power:

≤0.5W

Detection Area:

25%/50%/75%/100%

Hold Time:

5s/30s/1min/3min/5min/10min/20min/30min

Daylight Threshold:

2Lux/10Lux/30Lux/50Lux/80Lux/120Lux/Disable

Stand-by Period:

0s/10s/30s/1min/5min/10min/30min/+∞

Stand-by Dimming Level:

10%/20%/30%/50%

Operating Temperature:

-20°C~+60°C

Mounting Height:

Max 12m/39.37ft. Ceiling Mounted

Detection Range:

Max 14m/45.92 ft Ceiling Mounted

Motion Detection:

0.5~1.5m/s

Lux On-Off:

Adopted dual PD technology. GUS17-MVS is able to differentiate artificial light brightness from natural light after installed inside.

Remote Control Accessory:

Adjust settings using remote control (catalog# MSR1). Only available with 0-10V dimming driver options. [Remote control available here.](#)

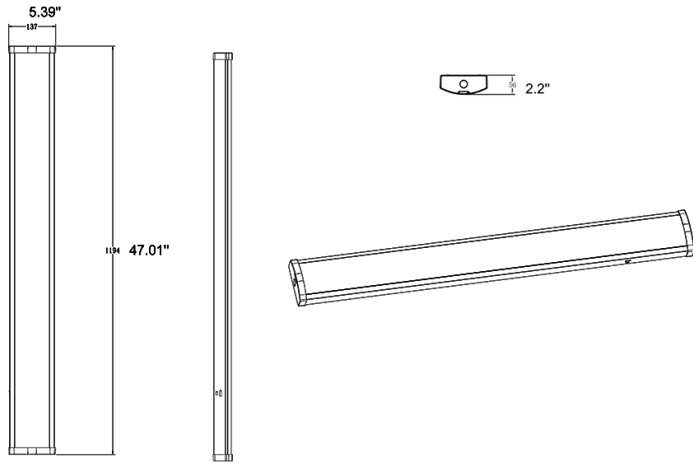
Other**5 Yr Limited Warranty:**

The RAB 5-year, limited warranty covers light output, driver performance and paint finish. RAB's warranty is subject to all terms and conditions found at rablighting.com/warranty.

Buy American Act Compliance:

RAB values USA manufacturing! Upon request, RAB may be able to manufacture this product to be compliant with the Buy American Act (BAA). Please contact customer service to request a quote for the product to be made BAA compliant.

Dimensions



Features

- 50,000-Hour LED lifespan
- 0-10V dimming standard
- DLC Listed
- 5-Year, limited warranty

Ordering Matrix

Family	Size/Wattage	Color Temp	Voltage	Finish	Options
GUS17	4				/MVS/E
	2 = 2ft (25/20/15W) 4 = 4ft (50/40/30W)	Blank = 3500K/4000K/5000K Selectable	Blank = 120-277V, 0-10V Dimming	Blank = White	Blank = No Option /E = Battery Backup /PIR = Passive Infrared Occupancy Sensor /MVS = Microwave Occupancy Sensor /LCBS = Lightcloud® Blue Enabled w/ PIR Sensor /LCBS/MVS = Lightcloud® Blue Enabled w/ MVS Sensor /PIR/E = Passive Infrared Occupancy Sensor w/ Battery Back Up /MVS/E = Microwave Occupancy Sensor w/ Battery Back Up /LCBS/E = Lightcloud® Blue PIR Sensor w/ Battery Back Up /LCBS/MVS/E = Lightcloud® Blue Microwave Occupancy Sensor w/ Battery Backup