



Color: White

Weight: 6.7 lbs

<b>Project:</b>	<b>Type:</b>
<b>Prepared By:</b>	<b>Date:</b>

Driver Info		LED Info	
Type	Constant Current	Watts	25/20/15W
120V	0.21A/0.17A/0.13A	Color Temp	3500K/4000K/5000K
208V	0.12A/0.10A/0.08A	Color Accuracy	82-86 CRI
240V	0.11A/0.09A/0.07A	L70 Lifespan	50,000 Hours
277V	0.10A/0.08A/0.06A	Lumens	1,798-2,974 lm
Input Watts	25/20/15W	Efficacy	117.4-123.6 lm/W

## Technical Specifications

### Field Adjustability

#### Field Adjustable:

Field Adjustable Light Output:  
25W/20W/15W (factory default 25W)  
Color temperature selectable by 5000K, 4000K and 3500K (factory default 4000K)

### Compliance

#### UL Listed:

Suitable for damp locations

#### DLC Listed:

This product is on the Design Lights Consortium (DLC) Qualified Products List and is eligible for rebates from DLC Member Utilities. Designed to meet DLC 5.1 requirements.  
DLC Product Code: S-TXS13W (Direct Linear Ambient Luminaires)

### Electrical

#### Driver:

Constant Current, Class 2, Class P, 120-277V, 50/60 Hz  
25W: 120V: 0.21A, 208V: 0.12A, 240V: 0.11A, 277V: 0.1A  
20W: 120V: 0.17A, 208V: 0.1A, 240V: 0.09A, 277V: 0.08A  
15W: 120V: 0.13A, 208V: 0.08A, 240V: 0.07A, 277V: 0.06A

### Dimming Driver:

Driver includes dimming control wiring for 0-10V dimming systems. Requires separate 0-10V DC dimming circuit. Dims down to 10%.

### THD:

6.6% at 120V, 14.51% at 277V

### Power Factor:

99.44% at 120V, 94.47% at 277V

### Surge Protection:

L-N: 1KV  
L/N-PG: 2KV

### Battery Backup:

Battery backup will operate the fixture for 90 minutes if power fails. Wired for 120-277V.

### Battery Backup Light Loss Factor:

25W: 0.15  
20W: 0.18  
14W: 0.25

### Performance

#### Lifespan:

50,000-Hour LED lifespan based on IES LM-80 results and TM-21 calculations

### Wattage Equivalency:

25W: Replaces up to (1) F32T8 or (3) F17T8  
20W: Replaces up to (1) F32T8 or (2) F17T8  
15W: Replaces up to (1) F32T8 or (2) F17T8

### LED Characteristics

#### LEDs:

Long-life, high-efficiency, surface-mount LEDs

### Color Uniformity:

RAB's range of Correlated Color Temperature follows the guidelines of the American National Standard for Specifications for the Chromaticity of Solid State Lighting (SSL) Products, ANSI C78.377-2017.

### Construction

#### Cold Weather Starting:

The minimum starting temperature is 0°C (32°F)

### Maximum Ambient Temperature:

Suitable for use in up to 50°C (122°F)

### Housing:

Color coated steel sheets

### Lens:

Polycarbonate lens

**Technical Specifications (continued)****Mounting:**

Surface mount. Can be mounted with v-hooks (ordered separately).

**Finish:**

Formulated for high durability and long-lasting color

**Green Technology:**

Mercury and UV free. RoHS-compliant components.

**Sensor Specifications****PIR Sensor Factory Settings:**

Brightness: 100%  
Hold Time: 1 Minute  
Daylight: Disabled  
Sensitivity: 100%  
Stand-By Dimming Level: 20%  
Stand-By Time: 1 Minute

**Operating Voltage:**

12 ± 2V DC

**Operating Current:**

30mA

**Output:**

DIM 0-10V

**Stand-By Power:**

<0.5W

**Brightness:**

0%-100%/Quick setting: 70%/80%/90%/100%

**Hold Time:**

10s/1min/10min/30min

**Daylight Threshold:**

10Lux/30Lux/50Lux/100Lux/Disable

**Lux On-Off:**

Adopted dual PD technology. GUS17-PIR is able to differentiate artificial light brightness from natural light after installed inside.

**Stand-By Time:**

1min/30min/60min/+∞

**Stand-By Dimming Level:**

10%/20%/30%/50%

**Detection Angle:**

≤120° (wall mounted) 360° (ceiling mounted)

**Control Line:**

Black White 12V+ ; Purple: DIM+ ; Pink GND/DIM-

**Mounting Height:**

Max 6M (ceiling mounted)

**Detection Range:**

Max 8m (ceiling mounted) Max 6m(wall mounted)

**Operating Temperature:**

-30°C to 60°C (-22°F to 140°F)

**Remote Control Accessory:**

Adjust settings using remote control (catalog# MSR1). Only available with 0-10V dimming driver options. [Remote control available here.](#)

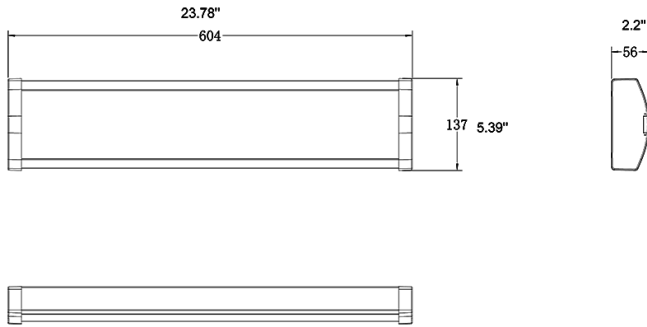
**Other****5 Yr Limited Warranty:**

The RAB 5-year, limited warranty covers light output, driver performance and paint finish. RAB's warranty is subject to all terms and conditions found at [rablighting.com/warranty](http://rablighting.com/warranty).

**Buy American Act Compliance:**

RAB values USA manufacturing! Upon request, RAB may be able to manufacture this product to be compliant with the Buy American Act (BAA). Please contact customer service to request a quote for the product to be made BAA compliant.

**Dimensions**



**Features**

- 50,000-Hour LED lifespan
- 0-10V dimming standard
- DLC Listed
- 5-Year, limited warranty

**Ordering Matrix**

Family	Size/Wattage	Color Temp	Voltage	Finish	Options
GUS17	2 2 = 2ft (25/20/15W) 4 = 4ft (50/40/30W)	Blank = 3500K/4000K/5000K Selectable	Blank = 120-277V, 0-10V Dimming	Blank = White	/PIR/E Blank = No Option /E = Battery Backup /PIR = Passive Infrared Occupancy Sensor /MVS = Microwave Occupancy Sensor /LCBS = Lightcloud® Blue Enabled w/ PIR Sensor /LCBS/MVS = Lightcloud® Blue Enabled w/ MVS Sensor /PIR/E = Passive Infrared Occupancy Sensor w/ Battery Back Up /MVS/E = Microwave Occupancy Sensor w/ Battery Back Up /LCBS/E = Lightcloud® Blue PIR Sensor w/ Battery Back Up /LCBS/MVS/E = Lightcloud® Blue Microwave Occupancy Sensor w/ Battery Backup