



Project:	Type:
Prepared By:	Date:

Driver Info		LED Info	
Type	Constant Current	Watts	25/20/15W
120V	0.21A/0.17A/0.13A	Color Temp	3500K/4000K/5000K
208V	0.12A/0.10A/0.08A	Color Accuracy	82-86 CRI
240V	0.11A/0.09A/0.07A	L70 Lifespan	50,000 Hours
277V	0.10A/0.08A/0.06A	Lumens	1,798-2,974 lm
Input Watts	25/20/15W	Efficacy	117.4-123.6 lm/W

Technical Specifications

Field Adjustability

Field Adjustable:

Field Adjustable Light Output:
25W/20W/15W (factory default 25W)
Color temperature selectable by 5000K, 4000K and 3500K (factory default 4000K)

Compliance

UL Listed:

Suitable for damp locations

DLC Listed:

This product is on the Design Lights Consortium (DLC) Qualified Products List and is eligible for rebates from DLC Member Utilities. Designed to meet DLC 5.1 requirements.
DLC Product Code: S-TXS13W (Direct Linear Ambient Luminaires)

Electrical

Driver:

Constant Current, Class 2, Class P, 120-277V, 50/60 Hz
25W: 120V: 0.21A, 208V: 0.12A, 240V: 0.11A, 277V: 0.1A
20W: 120V: 0.17A, 208V: 0.1A, 240V: 0.09A, 277V: 0.08A
15W: 120V: 0.13A, 208V: 0.08A, 240V: 0.07A, 277V: 0.06A

Dimming Driver:

Driver includes dimming control wiring for 0-10V dimming systems. Requires separate 0-10V DC dimming circuit. Dims down to 10%.

THD:

6.6% at 120V, 14.51% at 277V

Power Factor:

99.44% at 120V, 94.47% at 277V

Surge Protection:

L-N: 1KV
L/N-PG: 2KV

Performance

Lifespan:

50,000-Hour LED lifespan based on IES LM-80 results and TM-21 calculations

Wattage Equivalency:

25W: Replaces up to (1) F32T8 or (3) F17T8
20W: Replaces up to (1) F32T8 or (2) F17T8
15W: Replaces up to (1) F32T8 or (2) F17T8

LED Characteristics

LEDs:

Long-life, high-efficiency, surface-mount LEDs

Color Uniformity:

RAB's range of Correlated Color Temperature follows the guidelines of the American National Standard for Specifications for the Chromaticity of Solid State Lighting (SSL) Products, ANSI C78.377-2017.

Construction

Cold Weather Starting:

The minimum starting temperature is -20°C (-4°F)

Ambient Temperature :

Max Power Temp Rating: 45°C (113°F)
Middle Power Temp Rating: 48°C (119°F)
Low Power Temp Rating: 51°C (124°F)

Housing:

Color coated steel sheets

Lens:

Polycarbonate lens

Mounting:

Surface mount. Can be mounted with v-hooks (ordered separately).

Finish:

Formulated for high durability and long-lasting color

Technical Specifications (continued)

Green Technology:

Mercury and UV free. RoHS-compliant components.

Other

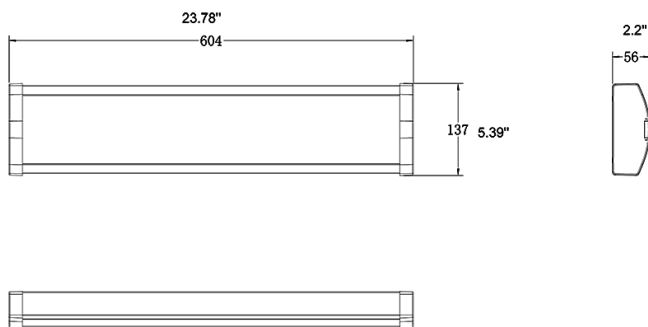
5 Yr Limited Warranty:

The RAB 5-year, limited warranty covers light output, driver performance and paint finish. RAB's warranty is subject to all terms and conditions found at rablighting.com/warranty.

Buy American Act Compliance:

RAB values USA manufacturing! Upon request, RAB may be able to manufacture this product to be compliant with the Buy American Act (BAA). Please contact customer service to request a quote for the product to be made BAA compliant.

Dimensions



Features

- 50,000-Hour LED lifespan
- 0-10V dimming standard
- DLC Listed
- 5-Year, limited warranty

Ordering Matrix

Family	Size/Wattage	Color Temp	Voltage	Finish	Options
GUS17	2				
	2 = 2ft (25/20/15W) 4 = 4ft (50/40/30W)	Blank = 3500K/4000K/5000K Selectable	Blank = 120-277V, 0-10V Dimming	Blank = White	Blank = No Option /E = Battery Backup /PIR = Passive Infrared Occupancy Sensor /MVS = Microwave Occupancy Sensor /LCBS = Lightcloud® Blue Enabled w/ PIR Sensor /LCBS/MVS = Lightcloud® Blue Enabled w/ MVS Sensor /PIR/E = Passive Infrared Occupancy Sensor w/ Battery Back Up /MVS/E = Microwave Occupancy Sensor w/ Battery Back Up /LCBS/E = Lightcloud® Blue PIR Sensor w/ Battery Back Up /LCBS/MVS/E = Lightcloud® Blue Microwave Occupancy Sensor w/ Battery Backup