

Project:	Type:	Prepared By:	Date:
-----------------	--------------	---------------------	--------------



Features and Benefits

- Produces rich and vibrant colors >90CRI
- Energy efficient replacement for incandescent and halogen Small diameter reflectors
- Constructed from durable materials which lowers risk of breakage
- Rated for use in enclosed and open fixtures in dry or damp locations
- Single optic and full face lens for precise beam angle control
- Longer lifespan compared to legacy equivalents minimizes replacement and maintenance costs
- Title 20 Compliant, ENERGY STAR Compliant, UL Listed
- Compatible with low voltage transformers (check compatibility list)

Technical Specifications		
Performance	For Use Outdoors in Open Fixtures:	Optical
Product Type: Small-Reflector	No	Beam Angle: 35°
Input Wattage: 6.5W	LED Characteristics	Other
Wattage Equivalency: 60W Halogen	Color Temperature: 3000K Warm White	Warranty: RAB warrants that our LED products will be free from defects in materials and workmanship for a period of five (5) years from the date of delivery to the end user, including coverage of light output, color stability, driver performance and fixture finish. RAB's warranty is subject to all terms and conditions found at rablighting.com/warranty .
Lumens (Nominal): 560lm	Color Accuracy (CRI): ≥90	Compliance
Efficacy: 86lm/W	Electrical	UL Listed: Yes
L70 Lifespan: 25,000 Hours	Power Factor: >0.9	Energy Star Approved: This product is ENERGY STAR® Version 2.0 Certified
Construction	Operating Temperature: -20°C to 45°C (-4°F to 113°F)	Energy Star ID: 2351514
Bulb Shape: GU10	Dimmable: Yes	
Base Type: GU10	Input Voltage: 120V	
	Flicker: ≤30%	

Technical Specifications (continued)

Model Number for Certification:

R10039

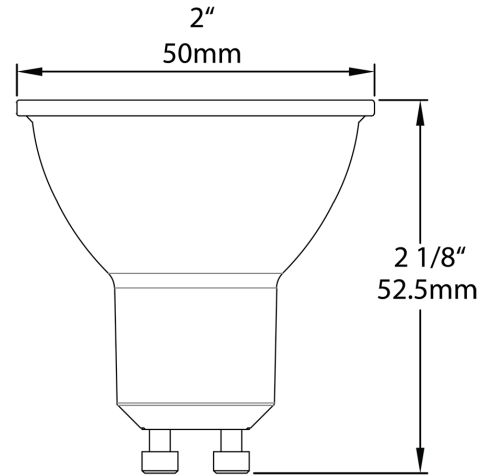
California Energy Commission (CEC) Status:

Lawful for Sales in California

Case and Pallet Dimensions

	QTY	LENGTH (in)	WIDTH (in)	HEIGHT (in)
CASE	12	8.74	6.61	2
PALLET	5400	44.49	40.47	45.47

Dimension



Light Distribution

