



Project:	Type:
Prepared By:	Date:

## Technical Specifications

### Other

#### Threads:

1/2" NPS at the fixture Side

#### Buy American Act Compliance:

RAB values USA manufacturing! Upon request, RAB may be able to manufacture this product to be compliant with the Buy American Act (BAA). Please contact customer service to request a quote for the product to be made BAA compliant.

### Construction

#### Diameter:

Diameter of the tube is 1"

#### Mounting:

The wall plate does not mount to a junction box but directly to the mounting surface with the proper hardware for the surface

#### Component Only:

This is a component for ordering LED Goosenecks. Not a complete fixture without Shade and Head.

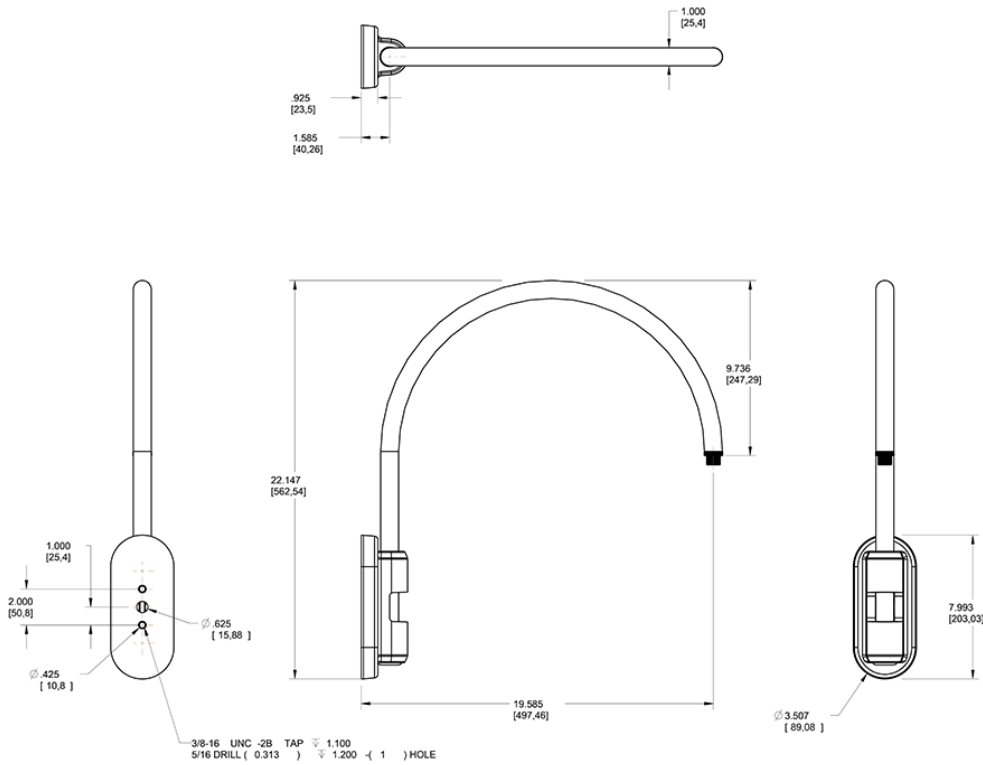
#### Construction:

Die cast aluminum

#### Finish:

Formulated for high durability and long-lasting color

Dimensions



Ordering Matrix

Family	Style	Finish
GOOSE	5	W
	1 = Arm Style 1	<b>B</b> = Black
	2 = Arm Style 2	<b>W</b> = White
	3 = Arm Style 3	<b>A</b> = Bronze
	4 = Arm Style 4	<b>S</b> = Silver
	5 = Arm Style 5	<b>G</b> = Hunter Green
		<b>YL</b> = Yellow
		<b>LB</b> = Light Blue
		<b>BL</b> = Royal Blue
		<b>BWN</b> = Brown
		<b>I</b> = Ivory
		<b>R</b> = Red