

GOOSE & ARM24 INSTALLATION INSTRUCTIONS

Thank you for buying RAB lighting fixtures. Our goal is to design the best quality products to get the job done right. We'd like to hear your comments. Call the Marketing Department at 888-RAB-1000, or email: marketing@rabweb.com

IMPORTANT

READ CAREFULLY BEFORE INSTALLING FIXTURE. RETAIN THESE INSTRUCTIONS FOR FUTURE REFERENCE.

RAB fixtures must be wired in accordance with the National Electrical Code and all applicable local codes. Proper grounding is required for safety. THIS PRODUCT MUST BE INSTALLED IN ACCORDANCE WITH THE APPLICABLE INSTALLATION CODE BY A PERSON FAMILIAR WITH THE CONSTRUCTION AND OPERATION OF THE PRODUCT AND THE HAZARDS INVOLVED.

WARNING: Make certain power is OFF before installing or maintaining fixture. No user serviceable parts inside.

GOOSE

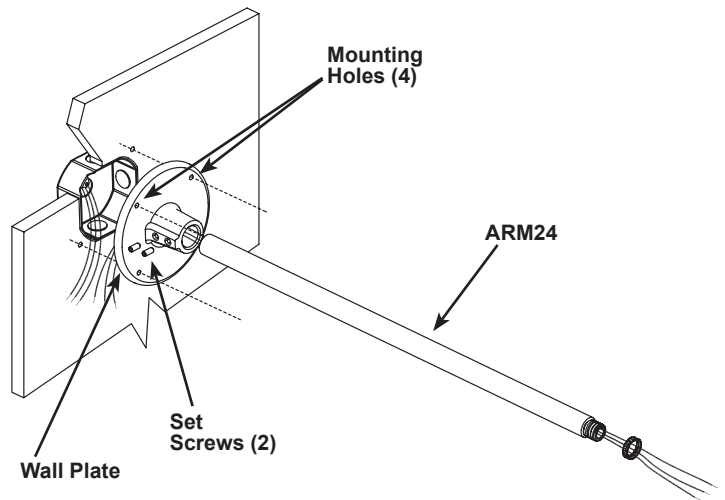
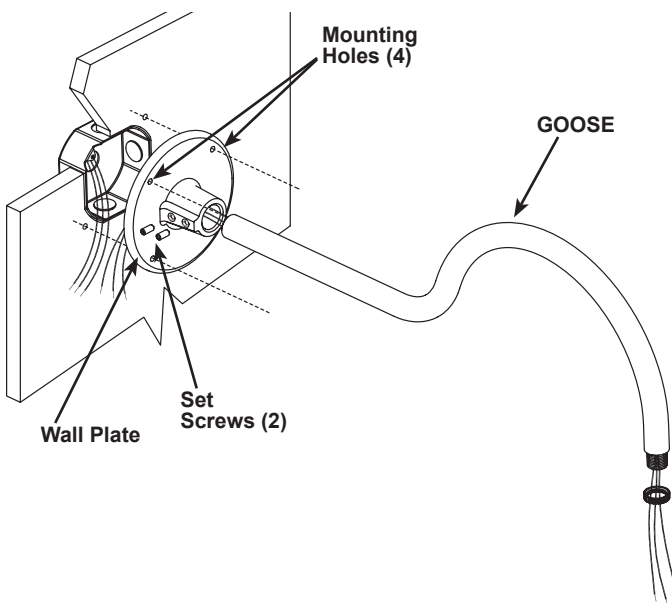
CAUTION: Use mounting hardware appropriate for the mounting surface and weight of the fixture.

1. Make supply connections in recessed junction box.
2. Mount **Wall Plate** to wall through (4) **Mounting Holes** using appropriate hardware for your mounting surface.
3. Mount fixture on other end of **GOOSE**. Works with any 1/2" NPS threaded mounting.
4. Tighten **Set Screws** and all other screws and hardware.
5. To ensure weatherproof seal, apply weatherproof silicone sealant to all unused plugs and holes and all along the edge of the **Wall Plate**. Use Teflon tape or use weatherproof silicone sealant on **Goose** threads.

ARM24

CAUTION: Use mounting hardware appropriate for the mounting surface and weight of the fixture.

1. Make supply connections in recessed junction box.
2. Mount **Wall Plate** to wall through (4) **Mounting Holes** using appropriate hardware for your mounting surface.
3. Mount fixture on other end of **ARM24**. Works with any 1/2" NPS threaded mounting.
4. Tighten **Set Screws** and all other screws and hardware.
5. To ensure weatherproof seal, apply weatherproof silicone sealant to all unused plugs and holes and all along the edge of the **Wall Plate**. Use Teflon tape or use weatherproof silicone sealant on **Arm24** threads.



Note: These instructions do not cover all details or variations in equipment nor do they provide for every possible situation during installation, operation or maintenance.

Easy Installation & Product Help

Tech Help Line

Call our experts
888 RAB-1000

Toll Free Fax

Send a fax to RAB
888 RAB-1232

rabweb.com

Visit our website
for product info

e-mail

Answered promptly
sales@rabweb.com