



LED Gooseneck Head available in 13W or 26W.

Color: Bronze

Weight: 5.0 lbs

<b>Project:</b>	<b>Type:</b>
<b>Prepared By:</b>	<b>Date:</b>

Driver Info		LED Info	
Type	Constant Current	Watts	26W
120V	0.25A	Color Temp	3000K (Warm)
208V	0.16A	Color Accuracy	82 CRI
240V	0.14A	L70 Lifespan	100,000 Hours
277V	0.12A	Lumens	1,096 lm
Input Watts	29.2W	Efficacy	37.5 lm/W

**Technical Specifications**

**Other**

**Lead Time:**

12 - 14 weeks standard shipping.

**Patents:**

The design of the Gooseneck is protected by patents pending in US, Canada, China and Taiwan

**Warranty:**

RAB warrants that our LED products will be free from defects in materials and workmanship for a period of five (5) years from the date of delivery to the end user, including coverage of light output, color stability, driver performance and fixture finish. RAB's warranty is subject to all terms and conditions found at [rablighting.com/warranty](http://rablighting.com/warranty).

**Buy American Act Compliance:**

RAB values USA manufacturing! Upon request, RAB may be able to manufacture this product to be compliant with the Buy American Act (BAA). Please contact customer service to request a quote for the product to be made BAA compliant.

**Compliance**

**UL Listed:**

Suitable for wet locations. Suitable for mounting within 4ft (1.2m) of the ground.

**IESNA LM-79 & lm-80 Testing:**

RAB LED luminaires and LED components have been tested by an independent laboratory in accordance with IESNA lm-79 and lm-80

**Construction**

**Component Only:**

This is a component for ordering LED Goosenecks. Not a complete fixture without Shade and Arm.

**Housing:**

Precision die-cast aluminum housing, lens frame and mounting plate

**Gaskets:**

High-temperature Silicone

**Mounting:**

Heavy-duty mounting arm with "O" ring seal and stainless steel screw

**Cold Weather Starting:**

The minimum starting temperature is -40°C (-40°F)

**Shades:**

Straight Shade offered

**Finish:**

Formulated for high durability and long-lasting color

**Green Technology:**

Mercury and UV free. RoHS-compliant components.

**Performance**

**Lifespan:**

100,000-Hour LED lifespan based on IES LM-80 results and TM-21 calculations

**Wattage Equivalency:**

Equivalent 120W Incandescent, 75W Metal Halide or 42W CFL

**LED Characteristics**

**LED:**

Single multi-chip, 26W high-output, long-life LED

**Color Stability:**

LED color temperature is warrantied to shift no more than 200K in color temperature over a 5-year period

**Color Uniformity:**

RAB's range of Correlated Color Temperature follows the guidelines of the American National Standard for Specifications for the Chromaticity of Solid State Lighting (SSL) Products, ANSI C78.377-2017.

**Electrical**

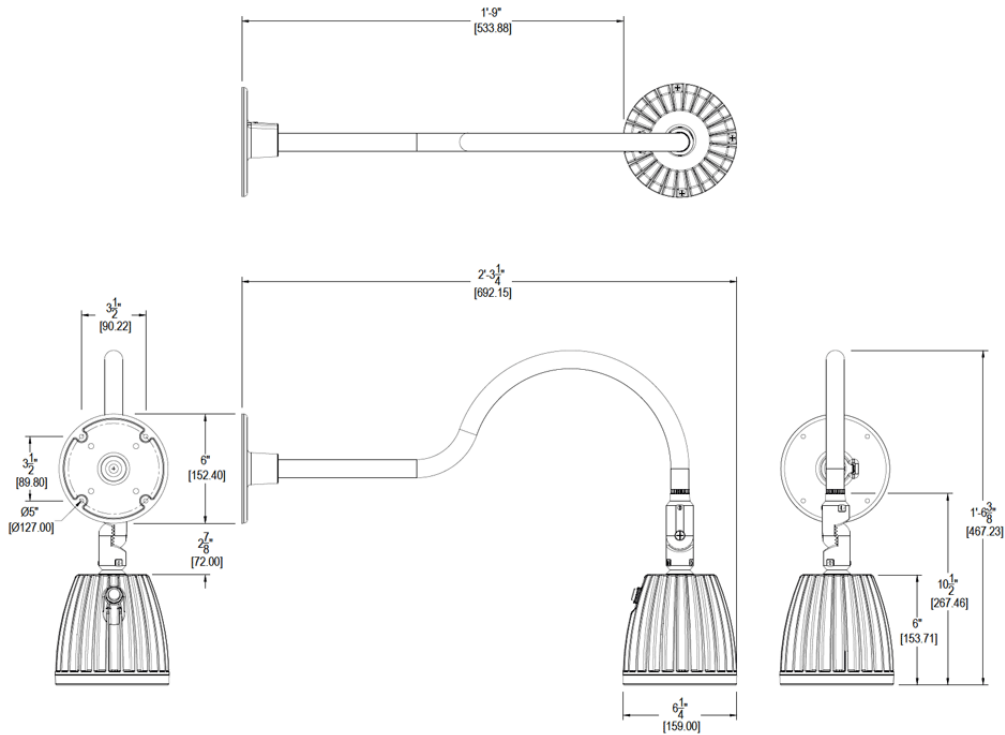
**Driver:**

Constant Current, Class 2, 100-277V, 50/60 Hz, 0.48 A, THD≤20%, PF 97.9%.

## Technical Specifications (continued)

Surge Protection:  
4kV

## Dimensions



## Ordering Matrix

Family	Wattage	Color Temp	Reflector	Finish
GNLED	26	Y	S	A
13 = 13W	Y = 3000K Warm	Blank = Flood	B = Black	
26 = 26W	N = 4000K Neutral	R = Rectangular	W = White	
		S = Spot	A = Bronze	
			S = Silver	
			G = Hunter Green	
			YL = Yellow	
			LB = Light Blue	
			BL = Royal Blue	
			BWN = Brown	
			I = Ivory	
			R = Red	