



LED Gooseneck Head available in 13W or 26W.

Color: Bronze

Weight: 5.9 lbs

Project:	Type:
Prepared By:	Date:

Driver Info		LED Info	
Type	Constant Current	Watts	26W
120V	0.25A	Color Temp	4000K (Neutral)
208V	0.16A	Color Accuracy	85 CRI
240V	0.14A	L70 Lifespan	100,000 Hours
277V	0.12A	Lumens	1,145 lm
Input Watts	28.4W	Efficacy	40.3 lm/W

Technical Specifications

Other

Lead Time:

12 - 14 weeks standard shipping.

Patents:

The design of the Gooseneck is protected by patents pending in US, Canada, China and Taiwan

Warranty:

RAB warrants that our LED products will be free from defects in materials and workmanship for a period of five (5) years from the date of delivery to the end user, including coverage of light output, color stability, driver performance and fixture finish. RAB's warranty is subject to all terms and conditions found at rablighting.com/warranty.

Buy American Act Compliance:

RAB values USA manufacturing! Upon request, RAB may be able to manufacture this product to be compliant with the Buy American Act (BAA). Please contact customer service to request a quote for the product to be made BAA compliant.

Compliance

UL Listed:

Suitable for wet locations. Suitable for mounting within 4ft (1.2m) of the ground.

IESNA LM-79 & lm-80 Testing:

RAB LED luminaires and LED components have been tested by an independent laboratory in accordance with IESNA lm-79 and lm-80

Construction

Component Only:

This is a component for ordering LED Goosenecks. Not a complete fixture without Shade and Arm.

Housing:

Precision die-cast aluminum housing, lens frame and mounting plate

Gaskets:

High-temperature Silicone

Mounting:

Heavy-duty mounting arm with "O" ring seal and stainless steel screw

Cold Weather Starting:

The minimum starting temperature is -40°C (-40°F)

Finish:

Formulated for high durability and long-lasting color

Green Technology:

Mercury and UV free. RoHS-compliant components.

Performance

Lifespan:

100,000-Hour LED lifespan based on IES LM-80 results and TM-21 calculations

Wattage Equivalency:

Equivalent 120W Incandescent, 75W Metal Halide or 42W CFL

LED Characteristics

LED:

Single multi-chip, 26W high-output, long-life LED

Color Stability:

LED color temperature is warranted to shift no more than 200K in color temperature over a 5-year period

Color Uniformity:

RAB's range of Correlated Color Temperature follows the guidelines of the American National Standard for Specifications for the Chromaticity of Solid State Lighting (SSL) Products, ANSI C78.377-2017.

Electrical

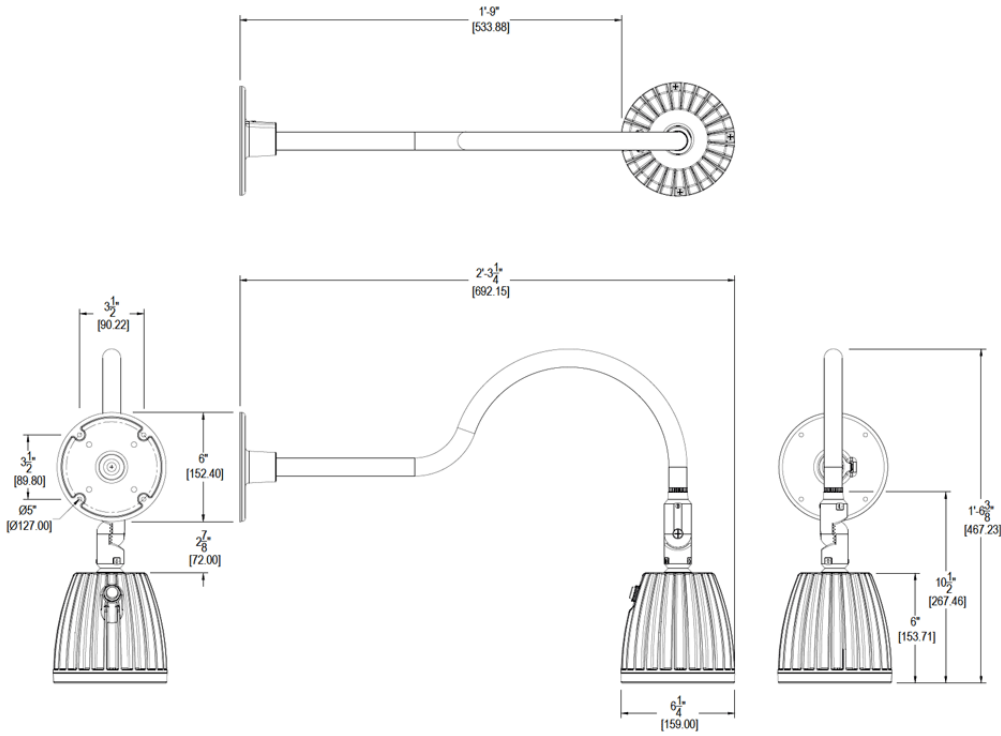
Driver:

Constant Current, Class 2, 100-277V, 50/60 Hz, 0.48 A, THD≤20%, PF 97.9%.

Surge Protection:

4kV

Dimensions



Ordering Matrix

Family	Wattage	Color Temp	Reflector	Finish
GNLED	26	N		A
	13 = 13W 26 = 26W	Y = 3000K Warm N = 4000K Neutral	Blank = Flood R = Rectangular S = Spot	B = Black W = White A = Bronze S = Silver G = Hunter Green YL = Yellow LB = Light Blue BL = Royal Blue BWN = Brown I = Ivory R = Red