

LED Gooseneck Head available in 13W or 26W.

Color: Silver

Weight: 5.0 lbs

<b>Project:</b>	<b>Type:</b>
<b>Prepared By:</b>	<b>Date:</b>

Driver Info		LED Info	
Type	Constant Current	Watts	13W
120V	0.3A	Color Temp	3000K (Warm)
208V	0.3A	Color Accuracy	84 CRI
240V	0.3A	L70 Lifespan	100,000 Hours
277V	0.15A	Lumens	508 lm
Input Watts	15.3W	Efficacy	33.2 lm/W

**Technical Specifications**

**Other**

**Lead Time:**

12 - 14 weeks standard shipping.

**Patents:**

The design of the Gooseneck is protected by patents pending in US, Canada, China and Taiwan

**Warranty:**

RAB warrants that our LED products will be free from defects in materials and workmanship for a period of five (5) years from the date of delivery to the end user, including coverage of light output, color stability, driver performance and fixture finish. RAB's warranty is subject to all terms and conditions found at [rablighting.com/warranty](http://rablighting.com/warranty).

**Buy American Act Compliance:**

RAB values USA manufacturing! Upon request, RAB may be able to manufacture this product to be compliant with the Buy American Act (BAA). Please contact customer service to request a quote for the product to be made BAA compliant.

**Compliance**

**UL Listed:**

Suitable for wet locations. Suitable for mounting within 4ft (1.2m) of the ground.

**IESNA LM-79 & lm-80 Testing:**

RAB LED luminaires and LED components have been tested by an independent laboratory in accordance with IESNA lm-79 and lm-80

**Construction**

**Component Only:**

This is a component for ordering LED Goosenecks. Not a complete fixture without Shade and Arm.

**Housing:**

Precision die-cast aluminum housing, lens frame and mounting plate

**Gaskets:**

High-temperature Silicone

**Mounting:**

Heavy-duty mounting arm with "O" ring seal and stainless steel screw

**Cold Weather Starting:**

The minimum starting temperature is -40°C (-40°F)

**Finish:**

Formulated for high durability and long-lasting color

**Green Technology:**

Mercury and UV free. RoHS-compliant components.

**Performance**

**Lifespan:**

100,000-Hour LED lifespan based on IES LM-80 results and TM-21 calculations

**Wattage Equivalency:**

Equivalent to 75W Incandescent, 50W Metal Halide or 18W CFL

**LED Characteristics**

**LED:**

Single multi-chip, 13W high-output, long-life LED

**Color Stability:**

LED color temperature is warranted to shift no more than 200K in color temperature over a 5-year period

**Color Uniformity:**

RAB's range of Correlated Color Temperature follows the guidelines of the American National Standard for Specifications for the Chromaticity of Solid State Lighting (SSL) Products, ANSI C78.377-2017.

**Electrical**

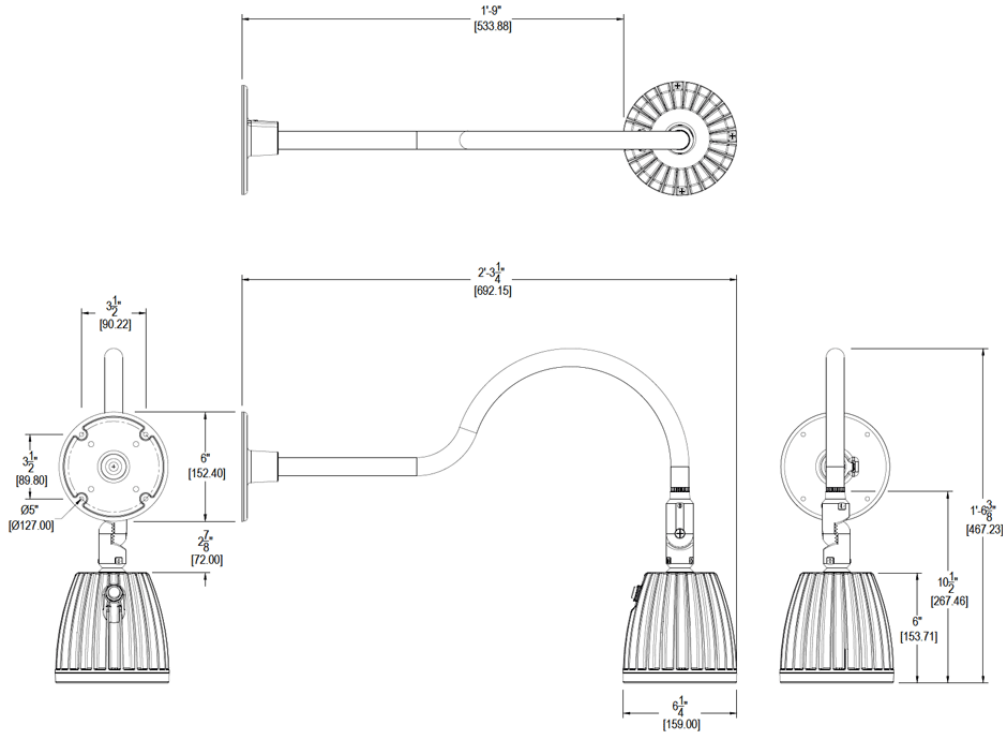
**Driver:**

Constant Current, Class 2, 100-277V, 50/60 Hz, 100-240VAC 0.3 - 0.15A, 277VAC 0.15A, THD ≤20%, PF 97.5%.

## Technical Specifications (continued)

Surge Protection:  
4kV

## Dimensions



## Ordering Matrix

Family	Wattage	Color Temp	Reflector	Finish
GNLED	13	Y		S
	13 = 13W 26 = 26W	Y = 3000K Warm N = 4000K Neutral	Blank = Flood R = Rectangular S = Spot	B = Black W = White A = Bronze S = Silver G = Hunter Green YL = Yellow LB = Light Blue BL = Royal Blue BWN = Brown I = Ivory R = Red