



13 & 26 Watt Straight Shade LED Gooseneck Luminaire designed to match the architecture of Main Street storefronts and building perimeters. LED Gooseneck Straight Shade with Pole 20" High, 19" from Pole Goose Arm Style 5.

Color: Brown

Weight: 16.0 lbs

Project:

Type:

Prepared By:

Date:

### Driver Info

| Type        | Constant Current |
|-------------|------------------|
| 120V        | 0.3A             |
| 208V        | 0.3A             |
| 240V        | 0.3A             |
| 277V        | 0.15A            |
| Input Watts | 15.2W            |

### LED Info

|                |                 |
|----------------|-----------------|
| Watts          | 13W             |
| Color Temp     | 4000K (Neutral) |
| Color Accuracy | 86 CRI          |
| L70 Lifespan   | 100,000 Hours   |
| Lumens         | 577 lm          |
| Efficacy       | 38 lm/W         |

## Technical Specifications

### Compliance

#### UL Listed:

Suitable for wet locations. Suitable for mounting within 4ft (1.2m) of the ground.

#### IESNA LM-79 & lm-80 Testing:

RAB LED luminaires and LED components have been tested by an independent laboratory in accordance with IESNA lm-79 and lm-80

### Performance

#### Lifespan:

100,000-Hour LED lifespan based on IES LM-80 results and TM-21 calculations

#### Wattage Equivalency:

Equivalent to 75W Incandescent, 50W Metal Halide or 18W CFL

### Construction

#### Fixture:

The GN5LED13NST11BWN comes with the GOOSE5BWN arm

#### Housing:

Precision die-cast aluminum housing, lens frame and mounting plate

#### Gaskets:

High-temperature Silicone

### Mounting:

Heavy-duty mounting arm with "O" ring seal and stainless steel screw

### Cold Weather Starting:

The minimum starting temperature is -40°C (-40°F)

### Shades:

11" Straight Shade offered

### Finish:

Formulated for high durability and long-lasting color

### Green Technology:

Mercury and UV free. RoHS-compliant components.

### LED Characteristics

#### LED:

Single multi-chip, 13W high-output, long-life LED

### Color Stability:

LED color temperature is warrantied to shift no more than 200K in color temperature over a 5-year period

### Color Uniformity:

RAB's range of Correlated Color Temperature follows the guidelines of the American National Standard for Specifications for the Chromaticity of Solid State Lighting (SSL) Products, ANSI C78.377-2017.

### Electrical

#### Driver:

Constant Current, Class 2, 100-277V, 50/60 Hz, 100-240VAC 0.3 - 0.15A, 277VAC 0.15A, THD ≤20%, PF 97.5%.

#### Surge Protection:

4kV

### Other

#### Patents:

The design of the Gooseneck is protected by patents pending in US, Canada, China and Taiwan

#### Warranty:

RAB warrants that our LED products will be free from defects in materials and workmanship for a period of five (5) years from the date of delivery to the end user, including coverage of light output, color stability, driver performance and fixture finish. RAB's warranty is subject to all terms and conditions found at [rablighting.com/warranty](http://rablighting.com/warranty).

#### Lead Time:

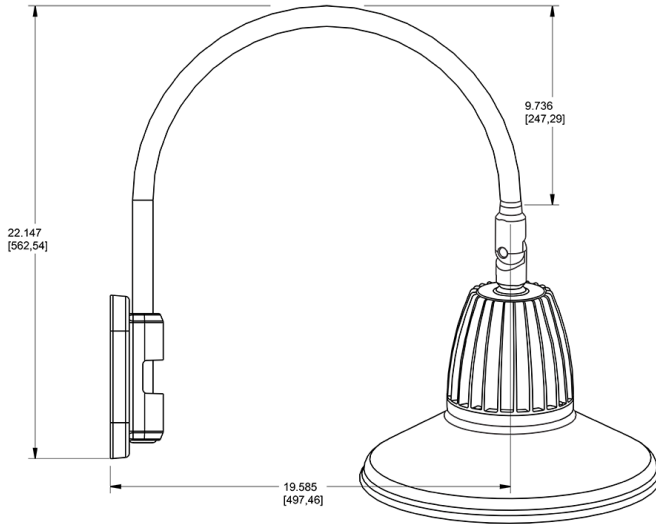
12 - 14 weeks standard shipping.

## Technical Specifications (continued)

### Buy American Act Compliance:

RAB values USA manufacturing! Upon request, RAB may be able to manufacture this product to be compliant with the Buy American Act (BAA). Please contact customer service to request a quote for the product to be made BAA compliant.

## Dimensions



## Features

- Adjustable 45° swivel joint
- Superior heat sink
- Die-cast aluminum housing
- 5-Year, No-Compromise Warranty

## Ordering Matrix

| Family | Wattage              | Color Temp                          | Reflector                                    | Shade               | ShadeSize               | Finish   |
|--------|----------------------|-------------------------------------|--|---------------------|-------------------------|--|
| GN5LED | 13                   | N                                   |  | ST                  | 11                      | BWN  |
|        | 13 = 13W<br>26 = 26W | Y = 3000K Warm<br>N = 4000K Neutral | Blank = Flood<br>R = Rectangular<br>S = Spot | ST = Straight Shade | 11 = 11"<br>Blank = 15" | B = Black<br>W = White<br>A = Bronze<br>S = Silver<br>G = Hunter Green<br>YL = Yellow<br>LB = Light Blue<br>BL = Royal Blue<br>BWN = Brown<br>I = Ivory<br>R = Red |