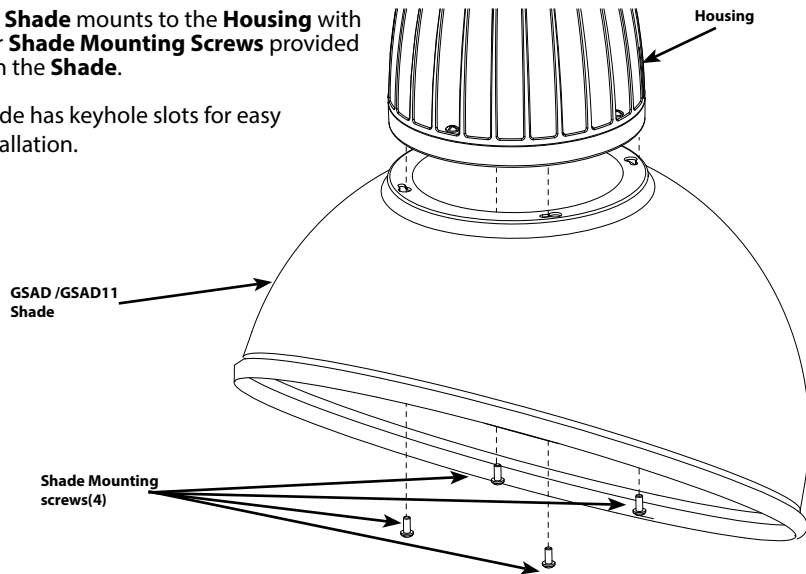


Angled Dome Shade

CAT# GSAD & GSAD11

1. The **Shade** mounts to the **Housing** with four **Shade Mounting Screws** provided with the **Shade**.
2. Shade has keyhole slots for easy installation.

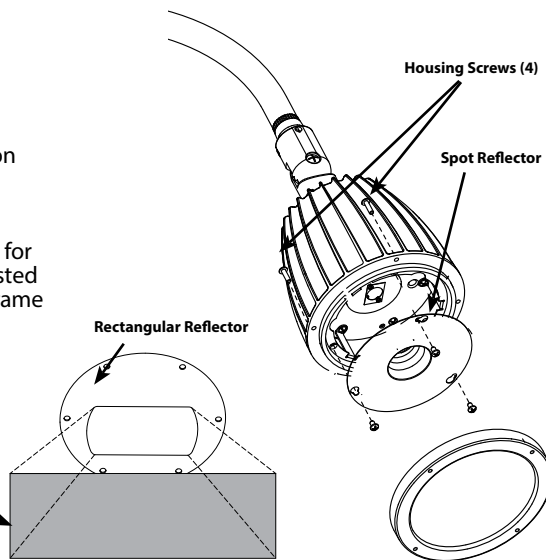


Lens Reflector Kit

CAT# LRFGNLED, LRFGNLED26 Clear Lens with Spot Reflector and Rectangular Reflector for optional patterns.

1. Remove frosted lens & frame. Install **Spot** or **Rectangular Reflector**.
2. When installing the **Rectangular Reflector** be aware of the direction **Rectangular Light Pattern**. See illustration below.
3. We recommend using a clear lens for these reflector types. Replace frosted lens and frame with clear lens & frame provided with this kit.
4. Tighten four **Housing Screws**.
5. Add shade if desired.

Rectangular Light Pattern
Orient reflector properly within fixture or rotate fixture to set beam in orientation desired.



Easy Installation & Product Help

Tech Help Line
Call our experts 888 RAB-1000

rabweb.com
Visit our website for product info

email
Answered promptly sales@rabweb.com

GOOSENECK LED INSTALLATION INSTRUCTIONS



Thank you for buying RAB lighting fixtures. Our goal is to design the best quality products to get the job done right. We'd like to hear your comments. Call the Marketing Department at 888-RAB-1000 or email: marketing@rabweb.com

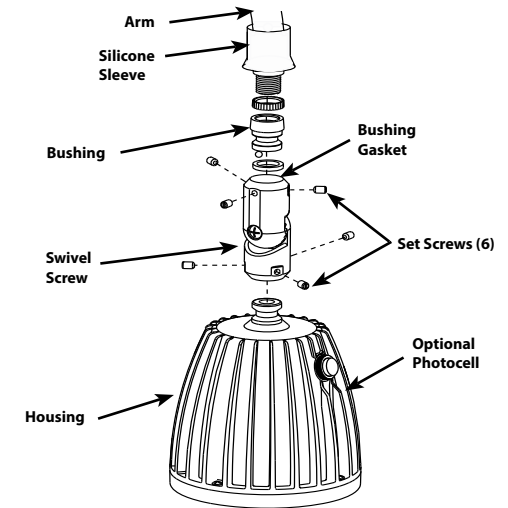
IMPORTANT

READ CAREFULLY BEFORE INSTALLING FIXTURE. RETAIN THESE INSTRUCTIONS FOR FUTURE REFERENCE. RAB fixtures must be wired in accordance with the National Electrical Code and all applicable local codes. Proper grounding is required for safety. THIS PRODUCT MUST BE INSTALLED IN ACCORDANCE WITH THE APPLICABLE INSTALLATION CODE BY A PERSON FAMILIAR WITH THE CONSTRUCTION AND OPERATION OF THE PRODUCT AND THE HAZARDS INVOLVED.

WARNING: Make certain power is OFF before installing or maintaining fixture. No user serviceable parts inside.

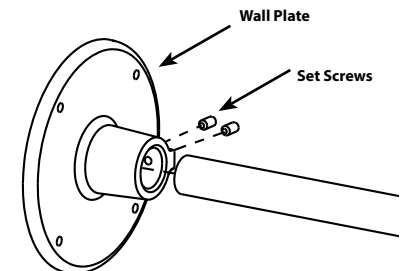
Housing Mounting

1. Thread the **Bushing** onto the **Arm**.
2. Feed leads through the **Arm**. Slide the **Silicone Sleeve** on the Arm.
3. Mount **Housing** to **Bushing** with three set screws. Check that **Bushing Gasket** is seated properly.
4. Tighten all **Set Screws**.
5. Loosen **Swivel Screw** and adjust fixture to desired angle. Tighten **Swivel Screw**.
6. To ensure weatherproof seal USE **TEFLON TAPE ON ARM THREADS** or use weatherproof silicone sealant between **Arm** and **Bushing**. In addition, after installing the **Arm**, **PULL DOWN THE SILICONE SLEEVE TO COVER THE ARM THREADS**.



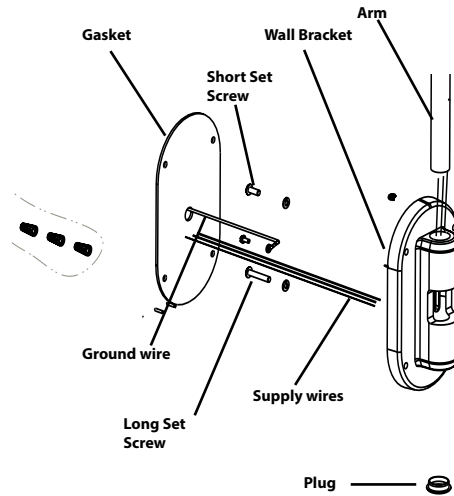
Arm Mounting to Wall and Wiring (GOOSE1, GOOSE2 & GOOSE3)

1. Insert arm into **Wall Plate**. Tighten **Set Screws**.
2. Make supply wiring connections in recessed box with UL approved connectors.
3. A universal voltage driver permits operation at 120V to 277V, 50 or 60Hz.
4. Mount **Wall Plate** to the wall with hardware appropriate for your mounting surface.
5. To ensure weatherproof seal, apply weatherproof silicone sealant around the edge of the **Wall Plate**. This is especially important with an uneven wall surface.



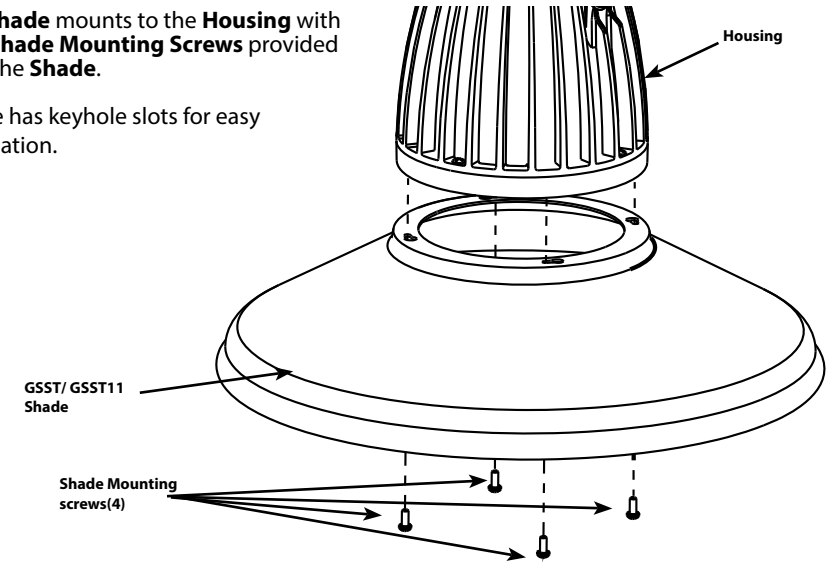
Arm Mounting to Wall and Wiring (GOOSE4)

1. Insert **Arm** into **Wall Plate** and close the bottom end with **Plug**.
2. Place **Long Set Screw** so it sits in the groove. Tighten the **Arm** with both **Long** and **Short Set Screws**.
3. Make supply wiring connections in recessed box with UL approved connectors.
4. Connect **Ground Wire** to **Wall Bracket**.
5. Be sure the **Gasket** is in place. Mount **Wall Plate** to the wall with hardware appropriate for mounting surface.
6. To ensure weatherproof seal, apply weatherproof silicone sealant around the edge of the **Wall Plate**. This is especially important with an uneven wall surface.



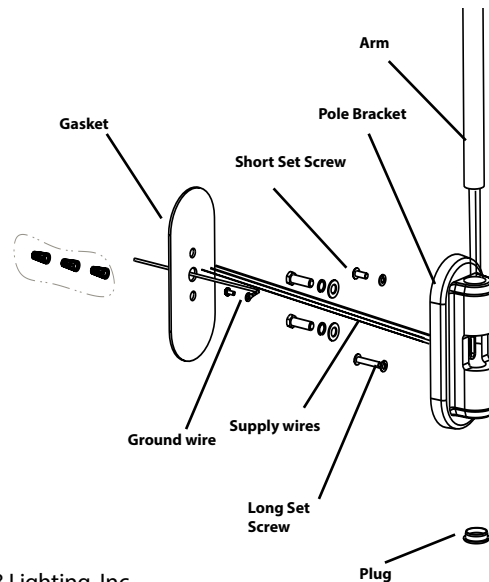
Straight Downlight Shade CAT# GSST & GSST11

1. The **Shade** mounts to the **Housing** with four **Shade Mounting Screws** provided with the **Shade**.
2. Shade has keyhole slots for easy installation.



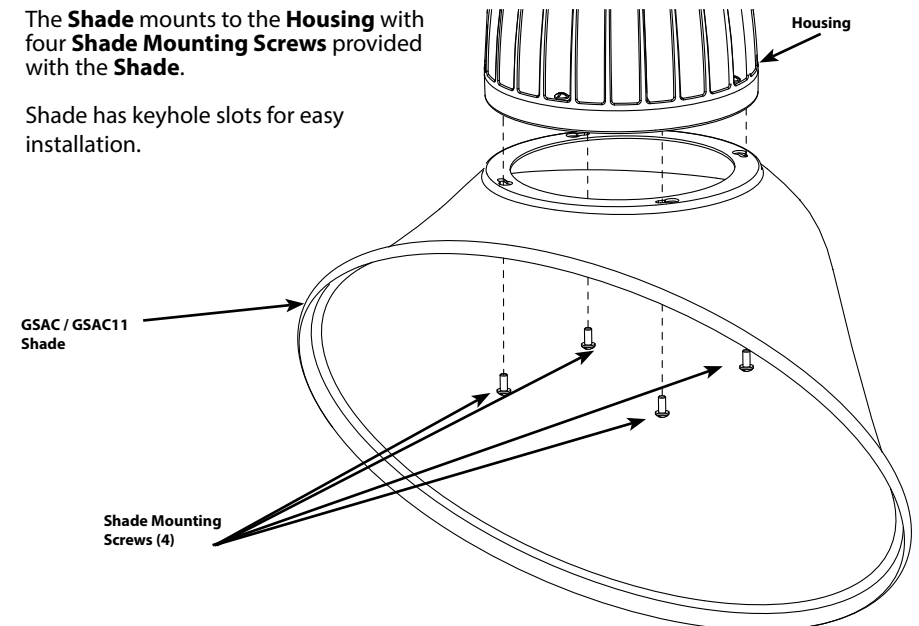
Pole Mounting and Wiring (GOOSE5)

1. Insert **Arm** into **Pole Bracket** and close the bottom end with **Plug**.
2. Place **Long Set Screw** so it sits in the groove. Tighten the **Arm** with both **Long** and **Short Set Screws**.
3. Make supply wiring connections with UL approved connectors inside pole and knot wires for strain relief.
4. Connect **Ground Wire** to **Pole Bracket**.
5. Be sure the **Gasket** is in place. Mount **Pole Bracket** to the pole with hardware provided nut, washer and bolts.
6. To ensure weatherproof seal, apply weatherproof silicone sealant around the edge of the **Pole Bracket**.



Angled Cone Shade CAT# GSAC & GSAC11

1. The **Shade** mounts to the **Housing** with four **Shade Mounting Screws** provided with the **Shade**.
2. Shade has keyhole slots for easy installation.



LED Fixture - US: pat. D664,694; **CA:** (D) - RAB Lighting, Inc.
LED Housing - US: pat. D669,210, **CA:** (D) - RAB Lighting, Inc., **CN:** ZL201130224479.8, **MX:** 36559

Note: These instructions do not cover all details or variations in equipment nor do they provide for every possible situation during installation, operation or maintenance.