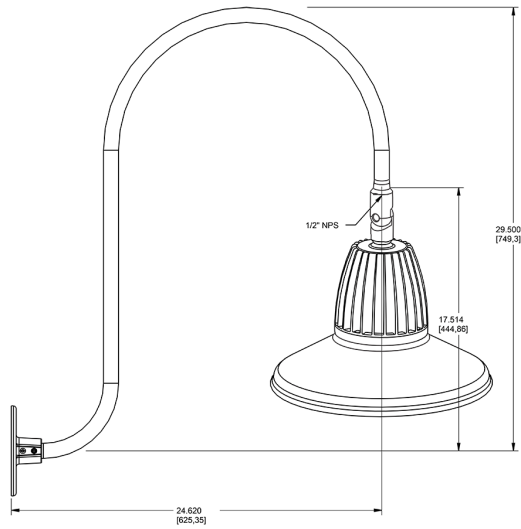


Dimensions



Features

- Adjustable 45° swivel joint
- Superior heat sink
- Die-cast aluminum housing
- 5-Year, No-Compromise Warranty

Ordering Matrix

| Family | Wattage | Color Temp | Reflector | Shade | ShadeSize | Finish |
|--------|----------------------|-------------------------------------|--|---------------------|-------------------------|--|
| GN3LED | 26 | Y | R | ST | 11 | W |
| | 13 = 13W 26 = 26W | Y = 3000K Warm N = 4000K Neutral | Blank = Flood R = Rectangular S = Spot | ST = Straight Shade | 11 = 11" Blank = 15" | B = Black W = White A = Bronze S = Silver G = Hunter Green YL = Yellow LB = Light Blue BL = Royal Blue BWN = Brown I = Ivory R = Red |