



13 & 26 Watt Dome Shade LED Gooseneck Luminaire designed to match the architecture of Main Street storefronts and building perimeters. LED Gooseneck Dome Shade with 24" Goose Arm Style 1.

Color: Brown

Weight: 11.0 lbs

Project:

Type:

Prepared By:

Date:

### Driver Info

Type	Constant Current
120V	0.25A
208V	0.16A
240V	0.14A
277V	0.12A
Input Watts	29.2W

### LED Info

Watts	26W
Color Temp	3000K (Warm)
Color Accuracy	82 CRI
L70 Lifespan	100,000 Hours
Lumens	809 lm
Efficacy	27.7 lm/W

## Technical Specifications

### Compliance

#### UL Listed:

Suitable for wet locations. Suitable for mounting within 4ft (1.2m) of the ground.

#### IESNA LM-79 & lm-80 Testing:

RAB LED luminaires and LED components have been tested by an independent laboratory in accordance with IESNA lm-79 and lm-80

### Performance

#### Lifespan:

100,000-Hour LED lifespan based on IES LM-80 results and TM-21 calculations

#### Wattage Equivalency:

Equivalent 120W Incandescent, 75W Metal Halide or 42W CFL

### Construction

#### Fixture:

The GN1LED26YRADBWN comes with the GOOSE1BWN Arm

#### Housing:

Precision die-cast aluminum housing, lens frame and mounting plate

#### Gaskets:

High-temperature Silicone

### Mounting:

Heavy-duty mounting arm with "O" ring seal and stainless steel screw

### Cold Weather Starting:

The minimum starting temperature is -40°C (-40°F)

### Shades:

15" Angled Dome Shade offered

### Finish:

Formulated for high durability and long-lasting color

### Green Technology:

Mercury and UV free. RoHS-compliant components.

### LED Characteristics

#### LED:

Single multi-chip, 26W high-output, long-life LED

### Color Stability:

LED color temperature is warrantied to shift no more than 200K in color temperature over a 5-year period

### Color Uniformity:

RAB's range of Correlated Color Temperature follows the guidelines of the American National Standard for Specifications for the Chromaticity of Solid State Lighting (SSL) Products, ANSI C78.377-2017.

### Electrical

#### Driver:

Constant Current, Class 2, 100-277V, 50/60 Hz, 0.48 A, THD≤20%, PF 97.9%.

#### Surge Protection:

4kV

### Other

#### Patents:

The design of the Gooseneck is protected by patents pending in US, Canada, China and Taiwan

#### Warranty:

RAB warrants that our LED products will be free from defects in materials and workmanship for a period of five (5) years from the date of delivery to the end user, including coverage of light output, color stability, driver performance and fixture finish. RAB's warranty is subject to all terms and conditions found at [rablighting.com/warranty](http://rablighting.com/warranty).

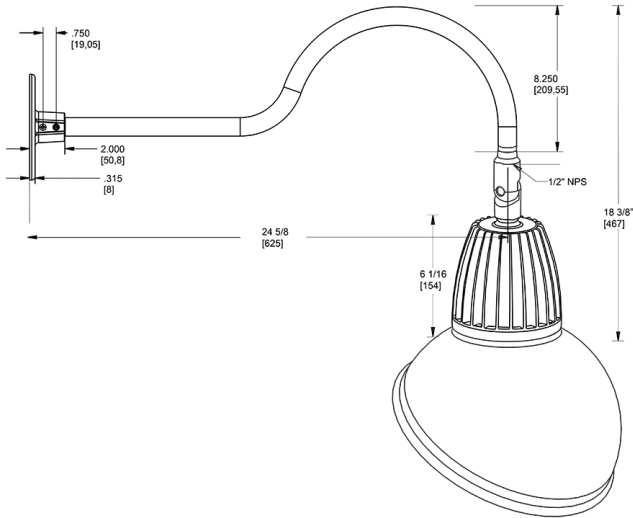
#### Lead Time:

12 - 14 weeks standard shipping.

#### Buy American Act Compliance:

RAB values USA manufacturing! Upon request, RAB may be able to manufacture this product to be compliant with the Buy American Act (BAA). Please contact customer service to request a quote for the product to be made BAA compliant.

## Dimensions



## Features

- Adjustable 45° swivel joint
- Superior heat sink
- Die-cast aluminum housing
- 5-Year, No-Compromise Warranty

## Ordering Matrix

Family	Wattage	Color Temp	Reflector	Shade	ShadeSize	Finish
GN1LED	26	Y	R	AD		BWN
	13 = 13W 26 = 26W	Y = 3000K Warm N = 4000K Neutral	Blank = Flood R = Rectangular S = Spot	AD = Angled Dome	11 = 11" Blank = 15"	B = Black W = White A = Bronze S = Silver G = Hunter Green YL = Yellow LB = Light Blue BL = Royal Blue BWN = Brown I = Ivory R = Red