

Available accessories include polyshield and wire guards, replacement lens and frame, and an occupancy sensor.

Weight: 0.0 lbs

<b>Project:</b>	<b>Type:</b>
<b>Prepared By:</b>	<b>Date:</b>

### Technical Specifications

#### Performance

**Description:**

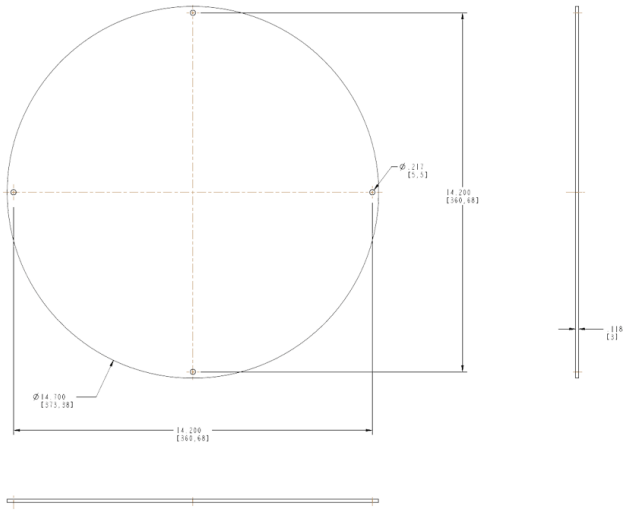
Guard polyshield frosted for highbay 78W LED with stainless steel screws and spacer

#### Other

**Buy American Act Compliance:**

RAB values USA manufacturing! Upon request, RAB may be able to manufacture this product to be compliant with the Buy American Act (BAA). Please contact customer service to request a quote for the product to be made BAA compliant.

**Dimensions**



**Features**

- Fully compatible with BAYLED and AISLED fixtures
- Commercial grade
- For assistance in ordering please contact RAB customer service 1 888-RAB-1000