



UPC: 019813748641

Color: White

Weight: 0.1 lbs

Project:	Type:
Prepared By:	Date:

Technical Specifications

Performance

Product Type:
Decorative

Input Wattage:
3W

Wattage Equivalency:
40W Incandescent

Lumens (Nominal):
350lm

Efficacy:
92lm/W

L70 Lifespan:
15,000 Hours

Construction

Bulb Shape:
G16.5

Finish:
Frosted

Base Type:
E12

For Use Outdoors in Open Fixtures:
No

LED Characteristics

Color Temperature:
5000K Daylight

Color Accuracy (CRI):
90 CRI

Electrical

Power Factor:
0.7

Operating Temperature:
-20°C to 45°C (-4°F to 113°F)

Dimmable:
Yes, down to 10%

Input Voltage:
120V

Flicker:
<30%

Optical

Beam Angle:
360°

Other

Warranty:

RAB warrants that our LED products will be free from defects in materials and workmanship for a period of three (3) years from the date of delivery to the end user, including coverage of light output, color stability, driver performance and fixture finish. RAB's warranty is subject to all terms and conditions found at rablighting.com/warranty.

Buy American Act Compliance:

RAB values USA manufacturing! Upon request, RAB may be able to manufacture this product to be compliant with the Buy American Act (BAA). Please contact customer service to request a quote for the product to be made BAA compliant.

Compliance

ETL Qualified:
Yes

Energy Star Approved:

This product is ENERGY STAR® Version 2.0 Certified

Energy Star ID:

2330349

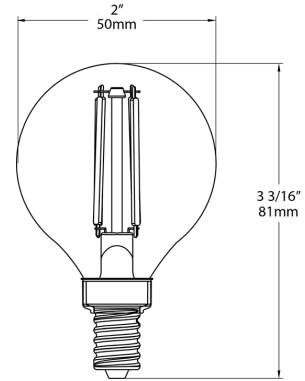
California Energy Commission (CEC) Status:

Lawful for Sales in California

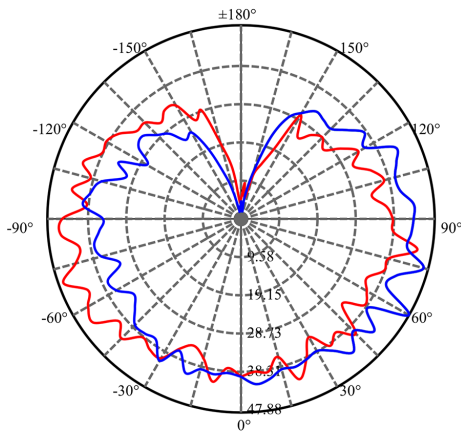
Case and Pallet Dimensions

	QTY	LENGTH (in)	WIDTH (in)	HEIGHT (in)
CASE	12	9	6.8	4
PALLET	1620	39.1	45.7	36.2

Dimension



Light Distribution



Features

- Replacement for conventional decorative lamps
- Filament LED construction gives a unique traditional look and feel for decorative and ambient applications
- Produces rich and vibrant colors, >90CRI
- Rated for use in enclosed and open fixtures in dry and damp locations
- Longer lifespan compared to legacy equivalents minimizes replacement and maintenance costs
- Title 20 Compliant, ENERGY STAR Compliant, UL Listed
- Smooth uniform dimming down to 10% (check dimmer compatibility list)

Ordering Matrix

Family	Wattage	Base Type	CRI/Color Temp	Type	Finish
G16.5	3	E12	950	F	F
	3 = 3W	E12 = E12 E26 = E26	950 = 90 CRI, 5000K 927 = 2700K	F = Filament	C = Clear F = Frosted