

|                     |              |
|---------------------|--------------|
| <b>Project:</b>     | <b>Type:</b> |
| <b>Prepared By:</b> | <b>Date:</b> |

| Driver Info |                  | LED Info       |               |
|-------------|------------------|----------------|---------------|
| Type        | Constant Current | Watts          | 78W           |
| 120V        | 0.78A            | Color Temp     | 3000K (Warm)  |
| 208V        | 0.45A            | Color Accuracy | 71 CRI        |
| 240V        | 0.39A            | L70 Lifespan   | 100,000 Hours |
| 277V        | 0.34A            | Lumens         | 9,844 lm      |
| Input Watts | 78.3W            | Efficacy       | 125.7 lm/W    |

**Technical Specifications**

**Compliance**

**UL Listed:**

Suitable for wet locations. Suitable for mounting within 4ft (1.2m) of the ground.

**IESNA LM-79 & lm-80 Testing:**

RAB LED luminaires and LED components have been tested by an independent laboratory in accordance with IESNA lm-79 and lm-80

**IP Rating:**

Ingress protection rating of IP66 for dust and water

**Performance**

**Lifespan:**

100,000-Hour LED lifespan based on IES LM-80 results and TM-21 calculations

**Wattage Equivalency:**

Equivalent to 250W Metal Halide

**Other**

**Note:**

All values are typical (tolerance +/- 10%)

**Warranty:**

RAB warrants that our LED products will be free from defects in materials and workmanship for a period of five (5) years from the date of delivery to the end user, including coverage of light output, color stability, driver performance and fixture finish. RAB's warranty is subject to all terms and conditions found at [rablighting.com/warranty](http://rablighting.com/warranty).

**Buy American Act Compliance:**

RAB values USA manufacturing! Upon request, RAB may be able to manufacture this product to be compliant with the Buy American Act (BAA). Please contact customer service to request a quote for the product to be made BAA compliant.

**LED Characteristics**

**LEDs:**

Long-life, high-efficacy, surface-mount LEDs

**Color Stability:**

LED color temperature is warrantied to shift no more than 200K in color temperature over a 5-year period

**Color Uniformity:**

RAB's range of Correlated Color Temperature follows the guidelines of the American National Standard for Specifications for the Chromaticity of Solid State Lighting (SSL) Products, ANSI C78.377-2017.

**Construction**

**EPA:**

2

**Ambient Temperature:**

Suitable for use in up to -40°C (-40°F) to 40°C (104°F)

**Lens:**

Tempered glass lens included

**Housing:**

Die-cast aluminum housing and door frame

**Mounting:**

Heavy-duty slipfitter for 2 3/8"OD pipe

**Finish:**

Formulated for high durability and long-lasting color

**Tilt Increment:**

Rotates in 6 degree increments

**Electrical**

**Driver:**

Constant Current, Class 2, 120-277V, 50/60 Hz, 120V: 0.66A, 208V: 0.38A, 240V: 0.33A, 277V: 0.29A

**THD:**

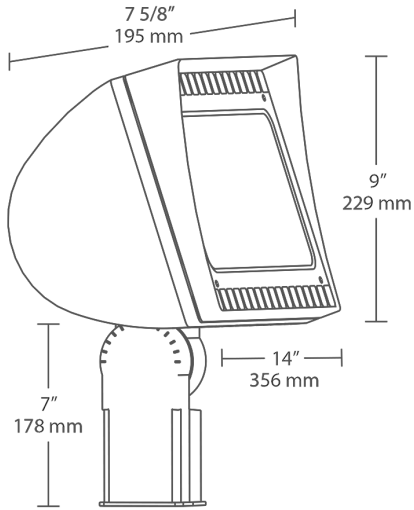
4.11% at 120V, 6.3% at 277V

**Technical Specifications (continued)**

**Power Factor:**

99.9% at 120V, 95% at 277V

**Dimensions**



**Features**

- 66% energy cost savings vs. HID
- NEMA Type - 6H x 6V
- "Air-Flow" technology heat dissipation
- 100,000-hour LED lifespan
- 5-Year, No-Compromise Warranty

**Ordering Matrix**

| Family | Wattage  | Mounting                        | Color Temp  | Finish                      | Driver  | Options  | Other Option                            |
|--------|--|---------------------------------|---|-----------------------------|---|--|---|
| FXLED  | 78   | SF                              | Y   | W                           |   |  |   |
|        | 78 = 78W<br>105 = 105W<br>125 = 125W<br>150 = 150W | SF = Slipfitter<br>T = Trunnion | Blank = 5000K Cool<br>N = 4000K Neutral<br>Y = 3000K Warm | Blank = Bronze<br>W = White | Blank = Standard<br>/D10 = 0-10V Dimming<br>/BL = Bi-Level<br>/480 = 480V | Blank = No Option<br>/LC = Lightcloud® Controller<br>/PCT = 100-277V Twistlock<br>/PCT4 = 480V Twistlock | Blank = Standard<br>USA = BAA Compliant |