



Ultra high output, high efficiency LED floodlight with NEMA Types: 7H x 6V, 6H x 4V, 4H x 6V, 5H x 5V and 3H x 3V. patent-pending "Air-Flow" technology ensures long LED and driver lifespan. Use for general and security lighting for large areas, building façades, signs and landscapes. Includes built in support for Lightcloud, RAB's commercial wireless lighting control system. Lightcloud is a commercial wireless lighting control system and service fully developed and supported by RAB. It's powerful and flexible, yet easy to use and install.

Color: White

Weight: 66.1 lbs

<b>Project:</b>	<b>Type:</b>
<b>Prepared By:</b>	<b>Date:</b>

Driver Info		LED Info	
Type	Constant Current	Watts	200W
120V	1.72A	Color Temp	4000K (Neutral)
208V	1.03A	Color Accuracy	75 CRI
240V	0.89A	L70 Lifespan	100,000 Hours
277V	0.77A	Lumens	31,904 lm
Input Watts	205.7W	Efficacy	155.1 lm/W

## Technical Specifications

### Lightcloud

#### Lightcloud Controller Installed:

Fixture, Zone, and plug-load control from one powerful device. Capable of switching, 0-10V dimming, power monitoring. Can also be used to extend the range of the Lightcloud mesh network. Attach to fixture, junction box, or electrical panel. [Learn more about Lightcloud.](#)

### Compliance

#### UL Listed:

Suitable for wet locations. Suitable for ground mounting.

#### IP Rating:

Ingress protection rating of IP66 for dust and water

#### IESNA LM-79 & LM-80 Testing:

RAB LED luminaires and LED components have been tested by an independent laboratory in accordance with IESNA LM-79 and LM-80.

### Optical

#### NEMA Type:

NEMA Beam Spread of 7H x 6V

### Performance

#### Lifespan:

100,000-Hour LED lifespan based on IES LM-80 results and TM-21 calculations

#### Wattage Equivalency:

Equivalent to 750W Metal Halide

### LED Characteristics

#### LEDs:

Multip-chip, high-output, long-life LEDs

#### Color Consistency:

3-step MacAdam Ellipse binning to achieve consistent fixture-to-fixture color

#### Color Stability:

LED color temperature is warranted to shift no more than 200K in color temperature over a 5-year period

#### Color Uniformity:

RAB's range of Correlated Color Temperature follows the guidelines of the American National Standard for Specifications for the Chromaticity of Solid State Lighting (SSL) Products, ANSI C78.377-2017.

### Construction

#### Maximum Ambient Temperature:

Suitable for use in up to 40°C (104°F)

#### Effective Projected Area:

EPA = 4

#### Cold Weather Starting:

The minimum starting temperature is -40°C (-40°F)

#### Thermal Management:

Superior thermal management with external "Air-Flow" fins

#### Lens:

Tempered glass lens

#### Housing:

Die-cast aluminum housing and door frame

#### Mounting:

Heavy-duty Trunnion mount with stainless steel hardware

#### Reflector:

Specular and semi-specular vacuum-metalized polycarbonate

#### Gaskets:

High-temperature silicone gaskets

#### Finish:

Formulated for high durability and long-lasting color

#### Green Technology:

Mercury and UV free. RoHS-compliant components.



## Technical Specifications (continued)

### Other

#### Note:

All values are typical (tolerance +/- 10%)

#### Warranty:

RAB warrants that our LED products will be free from defects in materials and workmanship for a period of five (5) years from the date of delivery to the end user, including coverage of light output, color stability, driver performance and fixture finish. RAB's warranty is subject to all terms and conditions found at [rablighting.com/warranty](http://rablighting.com/warranty).

#### Replacement:

Replaces 1000W Metal Halide

#### Buy American Act Compliance:

RAB values USA manufacturing! Upon request, RAB may be able to manufacture this product to be compliant with the Buy American Act (BAA). Please contact customer service to request a quote for the product to be made BAA compliant.

### Electrical

#### Drivers:

Constant Current, 700mA, 50/60 Hz, 120-277V, 4 kV surge protection, 120V: 1.72A, 208V: 1.03A, 240V: 0.89A, 277V: 0.277A, THD <20%, Power Factor: 99%

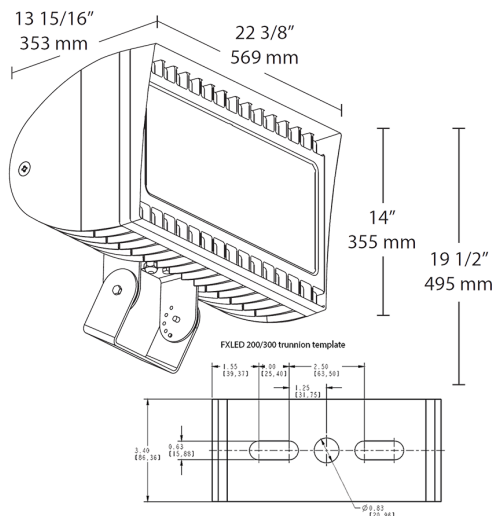
#### THD:

4.21% at 120V, 7.61% at 277V

#### Power Factor:

99.9% at 120V, 95.7% at 277V

## Dimensions



## Features

- 200W replaces 400 MH floodlights
- 100,000-hour LED lifespan
- 5-Year, No-Compromise Fixture Warranty and 10-Year, No-Compromise Lightcloud Warranty
- Built in support Lightcloud™
- Easy setup - simply power on, confirm device connectivity and call 844-LIGHTCLOUD

Ordering Matrix

Family	Wattage	Mounting	Color Temp	NEMA Type	Finish	Driver Options	Options	Other Options
FXLED	200	T	N		W		/LC	
	300 = 300W 200 = 200W	SF = Slipfitter T = Trunnion	Blank = 5000K Cool N = 4000K Neutral Y = 3000K Warm	Blank = 7H x 6V B64 = 6H x 4V B55 = 5H x 5V B33 = 3H x 3V B46 = 4H x 6V	W = White Blank = Bronze	Blank = 120-277V /480 = 480V /BL = Bi-Level - Slipfitters only <sup>1</sup> /D10 = 0-10V Dimming	Blank = No option /PCS = 120V Swivel /PCS2 = 277V Swivel /PCT = 120-277V Twistlock /PCT4 = 480V Twistlock /PCS4 = 480V Swivel /LC = Lightcloud Controller	Blank = Standard USA = BAA Compliant

<sup>1</sup> Slipfitter models only