



Ultra high output, high efficiency LED floodlight with NEMA Types: 7H x 6V, 6H x 4V, 4H x 6V, 5H x 5V and 3H x 3V. patent-pending "Air-Flow" technology ensures long LED and driver lifespan. Use for general and security lighting for large areas, building façades, signs and landscapes.

Color: Bronze

Weight: 72.1 lbs

|                     |              |
|---------------------|--------------|
| <b>Project:</b>     | <b>Type:</b> |
| <b>Prepared By:</b> | <b>Date:</b> |

| Driver Info |                  | LED Info       |                 |
|-------------|------------------|----------------|-----------------|
| Type        | Constant Current | Watts          | 200W            |
| 120V        | N/A              | Color Temp     | 4000K (Neutral) |
| 208V        | 1.03A            | Color Accuracy | 75 CRI          |
| 240V        | 0.89A            | L70 Lifespan   | 100,000 Hours   |
| 277V        | 0.77A            | Lumens         | 29,620 lm       |
| Input Watts | 202.8W           | Efficacy       | 146.1 lm/W      |

## Technical Specifications

### Compliance

#### UL Listed:

Suitable for wet locations. Suitable for ground mounting.

#### IP Rating:

Ingress protection rating of IP66 for dust and water

#### IESNA LM-79 & LM-80 Testing:

RAB LED luminaires and LED components have been tested by an independent laboratory in accordance with IESNA LM-79 and LM-80.

### Optical

#### NEMA Type:

NEMA Beam Spread of 4H x 6V

### Performance

#### Lifespan:

100,000-Hour LED lifespan based on IES LM-80 results and TM-21 calculations

#### Wattage Equivalency:

Equivalent to 750W Metal Halide

### LED Characteristics

#### LEDs:

Multi-chip, high-output, long-life LEDs

#### Color Consistency:

3-step MacAdam Ellipse binning to achieve consistent fixture-to-fixture color

#### Color Stability:

LED color temperature is warranted to shift no more than 200K in color temperature over a 5-year period

#### Color Uniformity:

RAB's range of Correlated Color Temperature follows the guidelines of the American National Standard for Specifications for the Chromaticity of Solid State Lighting (SSL) Products, ANSI C78.377-2017.

### Construction

#### Maximum Ambient Temperature:

Suitable for use in up to 40°C (104°F)

#### Effective Projected Area:

EPA = 4

#### Cold Weather Starting:

The minimum starting temperature is -40°C (-40°F)

#### Thermal Management:

Superior thermal management with external "Air-Flow" fins

#### Lens:

Tempered glass lens

#### Housing:

Die-cast aluminum housing and door frame

#### Mounting:

Heavy-duty Trunnion mount with stainless steel hardware

#### Reflector:

Specular and semi-specular vacuum-metalized polycarbonate

#### Gaskets:

High-temperature silicone gaskets

#### Finish:

Formulated for high durability and long-lasting color

#### Green Technology:

Mercury and UV free. RoHS-compliant components.

### Other

#### Note:

All values are typical (tolerance +/- 10%)

#### Replacement:

Replaces 1000W Metal Halide

## Technical Specifications (continued)

### Buy American Act Compliance:

RAB values USA manufacturing! Upon request, RAB may be able to manufacture this product to be compliant with the Buy American Act (BAA). Please contact customer service to request a quote for the product to be made BAA compliant.

### Electrical

#### Drivers:

Constant Current, 700mA, 50/60 Hz, 120-277V, 4 kV surge protection, 120V: 1.72A, 208V: 1.03A, 240V: 0.89A, 277V: 0.277A, THD <20%, Power Factor: 99%

#### THD:

3.64% at 120V, 7.44% at 277V

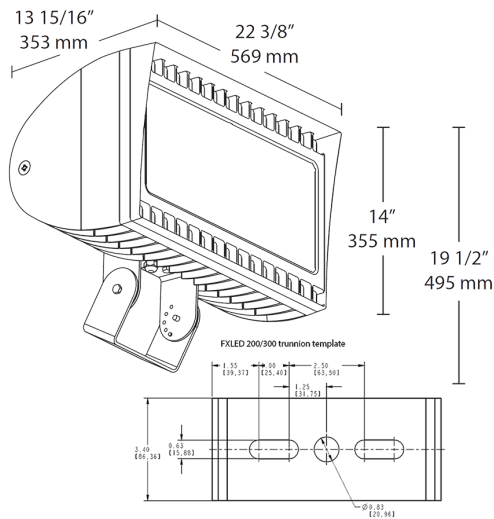
#### Power Factor:

99.9% at 120V, 95.5% at 277V

#### Photocell:

277V Swivel photocell included. Photocell is compatible with 208V-277V.

## Dimensions



## Features

- 200W replaces 400 MH floodlights
- 100,000-hour LED lifespan
- 5-Year, No-Compromise Warranty

Ordering Matrix

| Family | Wattage                  | Mounting                        | Color Temp  | NEMA Type   | Finish                      | Driver Options  | Options   | Other Options                           |
|--------|--------------------------|---------------------------------|---|---|-----------------------------|---|---|---|
| FXLED  | 200                      | T                               | N   | B46   |                             |   | /PCS2   |   |
|        | 300 = 300W<br>200 = 200W | SF = Slipfitter<br>T = Trunnion | Blank = 5000K Cool<br>N = 4000K Neutral<br>Y = 3000K Warm | Blank = 7H x 6V<br>B64 = 6H x 4V<br>B55 = 5H x 5V<br>B33 = 3H x 3V<br>B46 = 4H x 6V | W = White<br>Blank = Bronze | Blank = 120-277V<br>/480 = 480V<br>/BL = Bi-Level (Slipfitters only) <sup>1</sup><br>/D10 = 0-10V Dimming | Blank = No option<br>/PCS = 120V Swivel<br>/PCS2 = 277V Swivel<br>/PCT = 120-277V Twistlock<br>/PCT4 = 480V Twistlock<br>/PCS4 = 480V Swivel<br>/LC = Lightcloud Controller | Blank = Standard<br>USA = BAA Compliant |

<sup>1</sup> Slipfitter models only