



|                     |              |
|---------------------|--------------|
| <b>Project:</b>     | <b>Type:</b> |
| <b>Prepared By:</b> | <b>Date:</b> |

| Driver Info |                  | LED Info       |               |
|-------------|------------------|----------------|---------------|
| Type        | Constant Current | Watts          | 105W          |
| 120V        | N/A              | Color Temp     | 3000K (Warm)  |
| 208V        | N/A              | Color Accuracy | 71 CRI        |
| 240V        | N/A              | L70 Lifespan   | 100,000 Hours |
| 277V        | N/A              | Lumens         | 14,193 lm     |
| Input Watts | 104.1W           | Efficacy       | 136.3 lm/W    |

## Technical Specifications

### Compliance

#### UL Listed:

Suitable for wet locations. Suitable for ground mounting.

#### IP Rating:

Ingress protection rating of IP66 for dust and water

### Performance

#### Lifespan:

100,000-Hour LED lifespan based on IES LM-80 results and TM-21 calculations

#### Wattage Equivalency:

Replaces 320W Metal Halide

### Construction

#### EPA:

2

#### Maximum Ambient Temperature:

Suitable for use in up to 40°C (104°F)

#### Effective Projected Area:

EPA = 2

#### Cold Weather Starting:

The minimum starting temperature is -40°C (-40°F)

### Thermal Management:

Superior thermal management with external "Air-Flow" fins

#### Lens:

Tempered glass lens

#### Housing:

Die-cast aluminum housing and door frame

#### Mounting:

Heavy-duty Trunnion mount with stainless steel hardware

#### Reflector:

Specular, vacuum-metalized polycarbonate

#### Gaskets:

High-temperature silicone gaskets

#### Finish:

Formulated for high durability and long-lasting color

#### Green Technology:

Mercury and UV free. RoHS-compliant components.

### Other

#### Note:

All values are typical (tolerance +/- 10%)

### Warranty:

RAB warrants that our LED products will be free from defects in materials and workmanship for a period of five (5) years from the date of delivery to the end user, including coverage of light output, color stability, driver performance and fixture finish. RAB's warranty is subject to all terms and conditions found at [rablighting.com/warranty](http://rablighting.com/warranty).

### Patents:

The design of FXLED105 is protected by patents pending in US, Canada, China, Taiwan and Mexico

### Buy American Act Compliance:

RAB values USA manufacturing! Upon request, RAB may be able to manufacture this product to be compliant with the Buy American Act (BAA). Please contact customer service to request a quote for the product to be made BAA compliant.

### LED Characteristics

#### LEDs:

Multip-chip, high-output, long-life LEDs

#### Color Consistency:

3-step MacAdam Ellipse binning to achieve consistent fixture-to-fixture color

## Technical Specifications (continued)

### Color Stability:

LED color temperature is warranted to shift no more than 200K in color temperature over a 5-year period

### Color Uniformity:

RAB's range of Correlated Color Temperature follows the guidelines of the American National Standard for Specifications for the Chromaticity of Solid State Lighting (SSL) Products, ANSI C78.377-2017.

## Electrical

### Drivers:

Two Drivers, Constant Current, Class 2, 1400mA, 347-480V, 50/60Hz, 0.25A, Power Factor 99%

### THD:

10.44% at 480V

### Power Factor:

92.4% at 480V

### Ballast Volts:

480V

## Optical

### NEMA Type:

NEMA Beam Spread of 6H x 6V

## Sensor Specifications

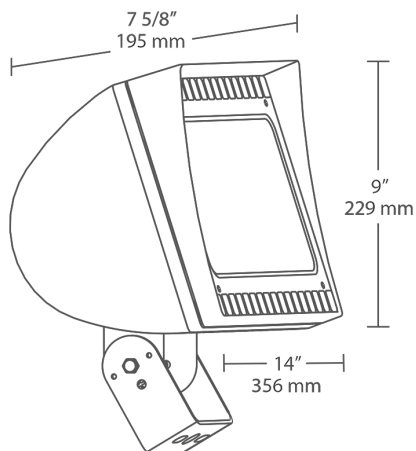
### Field & Beam Angles:

Horizontal Beam Angle (50%): 91.8°, Vertical Beam

Angle (50%): 73.5° Horizontal Field Angle (10%):

121.0°, Vertical Field Angle (10%): 108.0°

## Dimensions



## Features

66% energy cost savings vs. HID

NEMA Type - 6H x 6V

"Air-Flow" technology heat dissipation

100,000-hour LED lifespan

5-Year, No-Compromise Warranty

## Ordering Matrix

| Family | Wattage  | Mounting                        | Color Temp  | Finish                      | Driver  | Options  | Other Option                            |
|--------|--|---------------------------------|---|-----------------------------|---|--|---|
| FXLED  | 105  | T                               | Y   | W                           | /480  |  |   |
|        | 78 = 78W<br>105 = 105W<br>125 = 125W<br>150 = 150W | SF = Slipfitter<br>T = Trunnion | Blank = 5000K Cool<br>N = 4000K Neutral<br>Y = 3000K Warm | Blank = Bronze<br>W = White | Blank = Standard<br>/D10 = 0-10V Dimming<br>/BL = Bi-Level<br>/480 = 480V | Blank = No Option<br>/LC = Lightcloud® Controller<br>/PCT = 100-277V Twistlock<br>/PCT4 = 480V Twistlock | Blank = Standard<br>USA = BAA Compliant |