



Color: Bronze

Weight: 22.8 lbs

<b>Project:</b>	<b>Type:</b>
<b>Prepared By:</b>	<b>Date:</b>

Driver Info		LED Info	
Type	Constant Current	Watts	105W
120V	0.92A	Color Temp	3000K (Warm)
208V	0.53A	Color Accuracy	71 CRI
240V	0.46A	L70 Lifespan	100,000 Hours
277V	0.40A	Lumens	13,675 lm
Input Watts	108.9W	Efficacy	125.6 lm/W

**Technical Specifications**

**Compliance**

**UL Listed:**

Suitable for wet locations

**IP Rating:**

Ingress protection rating of IP66 for dust and water

**Performance**

**Lifespan:**

100,000-Hour LED lifespan based on IES LM-80 results and TM-21 calculations

**Wattage Equivalency:**

Replaces 320W Metal Halide

**Construction**

**IES Classification:**

The Type II distribution is ideal for wide walkways, on ramps and entrance roadways, bike paths and other long and narrow lighting applications. This type is meant for lighting larger areas and usually is located near the roadside. This type of lighting is commonly found on smaller side streets or jogging paths.

**Effective Projected Area:**

EPA = 0.75

**Maximum Ambient Temperature:**

Suitable for use in up to 40°C (104°F)

**Cold Weather Starting:**

The minimum starting temperature is -40°C (-40°F)

**Thermal Management:**

Superior thermal management with external "Air-Flow" fins

**Lens:**

Tempered glass lens

**Housing:**

Die-cast aluminum housing, lens frame and mounting arm

**Mounting:**

Heavy-duty 1/2" thread mounting arm with "O" ring seal & stainless steel screws

**Reflector:**

Specular vacuum-metallized polycarbonate

**Gaskets:**

High-temperature silicone gaskets

**EPA:**

2

**Finish:**

Formulated for high durability and long-lasting color

**Green Technology:**

Mercury and UV free. RoHS-compliant components.

**Other**

**Note:**

All values are typical (tolerance +/- 10%)

**Warranty:**

RAB warrants that our LED products will be free from defects in materials and workmanship for a period of five (5) years from the date of delivery to the end user, including coverage of light output, color stability, driver performance and fixture finish. RAB's warranty is subject to all terms and conditions found at [rablighting.com/warranty](http://rablighting.com/warranty).

**Buy American Act Compliance:**

RAB values USA manufacturing! Upon request, RAB may be able to manufacture this product to be compliant with the Buy American Act (BAA). Please contact customer service to request a quote for the product to be made BAA compliant.

**LED Characteristics**

**LEDs:**

Multi-chip, high-output, long-life LEDs

**Color Stability:**

LED color temperature is warrantied to shift no more than 200K in color temperature over a 5-year period

**Technical Specifications (continued)**

**Color Uniformity:**

RAB's range of Correlated Color Temperature follows the guidelines of the American National Standard for Specifications for the Chromaticity of Solid State Lighting (SSL) Products, ANSI C78.377-2017.

**Electrical**

**Dimming Driver:**

Driver includes dimming control wiring for 0-10V dimming systems. Requires separate 0-10V DC dimming circuit. Dims down to 10%.

**THD:**

7.16% at 120V, 6.5% at 277V

**Power Factor:**

99.8% at 120V, 93% at 277V

**Surge Protection:**

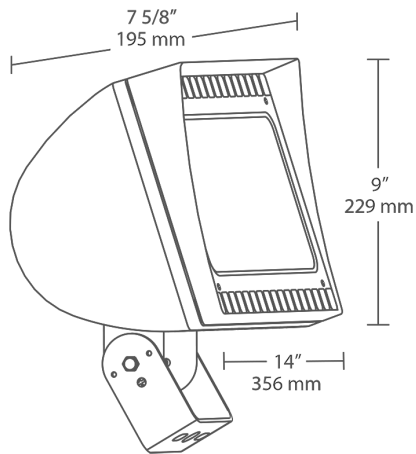
4kV

**Optical**

**BUG Rating:**

B2 U0 G2

**Dimensions**



**Features**

- 66% energy cost savings vs. HID
- NEMA Type - 6H x 6V
- "Air-Flow" technology heat dissipation
- 100,000-hour LED lifespan
- 5-Year, No-Compromise Warranty

## Ordering Matrix

Family	Wattage	Mounting	Color Temp	Finish	Driver	Options	Other Option
FXLED	105	T	Y		/D10		
	78 = 78W 105 = 105W 125 = 125W 150 = 150W	SF = Slipfitter T = Trunion	Blank = 5000K Cool N = 4000K Neutral Y = 3000K Warm	Blank = Bronze W = White	Blank = Standard /D10 = 0-10V Dimming /BL = Bi-Level /480 = 480V	Blank = No Option /LC = Lightcloud® Controller /PCT = 100-277V Twistlock /PCT4 = 480V Twistlock	Blank = Standard USA = BAA Compliant