



Specification grade HID floodlight with cutting edge design, architectural quality, superior features and mounting options at competitive prices.

Color: Bronze

Weight: 8.8 lbs

Project:

Type:

Prepared By:

Date:

### Lamp Info

Type	42W Triple
Watts	42W
Shape/Size	N/A
Base	N/A
ANSI	N/A
Hours	12,000
Lamp Lumens	3,200 lm
Efficacy	69.6 lm/W

### Ballast Info

Type	Elec HPF QT
120V	0.38A
208V	0.3A
240V	0.2A
277V	0.17A
Input Watts	46W

## Technical Specifications

### Compliance

#### UL Listed:

Suitable for wet locations. Suitable for ground mounting.

### Construction

#### Housing:

Precision die-cast aluminum. 1/2" NPS locking Swivel Arm, Wall Bracket Trunnion or Slip Fitter.

#### Reflector:

Anodized aluminum. Field adjustable beam spread. Rotates 90° for horizontal or vertical lamp position.

#### Lens Frame & Glare Shield:

Precision die cast aluminum. Hinged for easy access. Phillips head screws for added security.

#### Finish:

Formulated for high durability and long-lasting color

#### Lens:

Thermal tempered shock resistant glass, 3/16" thick

#### Lens Gasket:

High-temperature one piece molded silicone set in die cast retaining groove. Remains in place during relamping.

### Ground Mounting:

Use the new MPM19 PVC Mighty Post with aluminum cap for sturdy installation

### EPA:

Maximum EPA 1.1

### Ballast Minimum Starting Temperature:

0°F

### Electrical

#### Socket:

HID Porcelain 4kv Pulse Rated socket with nickel plated screw shell CFL Plug in type, GX24q-4 base

#### Quad Tap:

Fixture works with 120, 208, 240 and 277 Volts

### Other

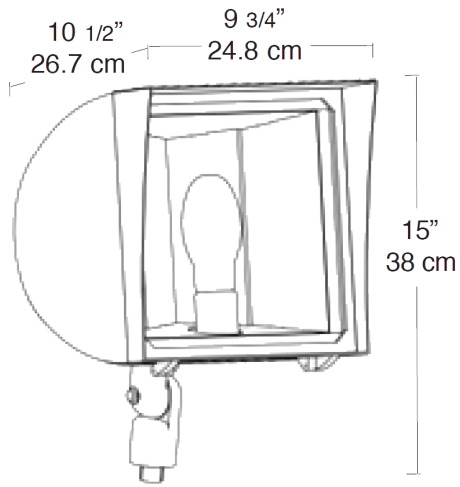
#### Patents:

Pat. D545,472

### Buy American Act Compliance:

RAB values USA manufacturing! Upon request, RAB may be able to manufacture this product to be compliant with the Buy American Act (BAA). Please contact customer service to request a quote for the product to be made BAA compliant.

**Dimensions**



**Features**

- Integra hood glare shield for friendly lighting when properly aimed
- Silicone gasket for durable weatherproofing & easy relamping
- Precision die cast aluminum housing and lens frame with durable polyester powder coating
- Anodized aluminum reflector rotates for horizontal or vertical lamp position
- Medium base 4kv pulse rated socket
- Two field adjustable socket positions allow fine tuning of beam spread)
- Fins for heat dissipation extend lamp and ballast life