



FSLED Steplights 3W. Suitable for both indoor and outdoor use. Easy installation into a recessed 2" x 4" jbox. Available in vertical or horizontal models either with trims or trimless.

Color: Bronze

Weight: 0.6 lbs

|                     |              |
|---------------------|--------------|
| <b>Project:</b>     | <b>Type:</b> |
| <b>Prepared By:</b> | <b>Date:</b> |

| Driver Info |                  | LED Info       |                          |
|-------------|------------------|----------------|--------------------------|
| Type        | Constant Current | Watts          | 3W                       |
| 120V        | N/A              | Color Temp     | 2700K (Residential Warm) |
| 208V        | N/A              | Color Accuracy | 80 CRI                   |
| 240V        | N/A              | L70 Lifespan   | 100,000 Hours            |
| 277V        | 0.201A           | Lumens         | 38 lm                    |
| Input Watts | 3.6W             | Efficacy       | 10.6 lm/W                |

**Technical Specifications**

**Compliance**

**UL Listed:**

Suitable for wet locations

**IP Rating:**

Ingress protection rating of IP66 for dust and water

**IESNA LM-79 & lm-80 Testing:**

RAB LED luminaires and LED components have been tested by an independent laboratory in accordance with IESNA lm-79 and lm-80

**LED Characteristics**

**LEDs:**

Long-life, high-efficacy, surface-mount LEDs

**Color Stability:**

LED color temperature is warrantied to shift no more than 200K in color temperature over a 5-year period

**Color Uniformity:**

RAB's range of Correlated Color Temperature follows the guidelines of the American National Standard for Specifications for the Chromaticity of Solid State Lighting (SSL) Products, ANSI C78.377-2017.

**Performance**

**Lifespan:**

100,000-Hour LED lifespan based on IES LM-80 results and TM-21 calculations

**Wattage Equivalency:**

Equivalent to 5W/T3

**Construction**

**Housing:**

Precision die-cast aluminum

**Trim:**

1/2" Trim

**Maximum Ambient Temperature:**

Suitable for use in up to 40°C (104°F)

**Cold Weather Starting:**

The minimum starting temperature is -40°C (-40°F)

**Mounting:**

Recessed junction box. Horizontal models.

**Lens:**

Tempered glass lens

**Gaskets:**

High-temperature silicone

**Finish:**

Formulated for high durability and long-lasting color

**Green Technology:**

Mercury and UV free. RoHS-compliant components.

**Other**

**Warranty:**

RAB warrants that our LED products will be free from defects in materials and workmanship for a period of five (5) years from the date of delivery to the end user, including coverage of light output, color stability, driver performance and fixture finish. RAB's warranty is subject to all terms and conditions found at [rablighting.com/warranty](http://rablighting.com/warranty).

**Buy American Act Compliance:**

RAB values USA manufacturing! Upon request, RAB may be able to manufacture this product to be compliant with the Buy American Act (BAA). Please contact customer service to request a quote for the product to be made BAA compliant.

**Electrical**

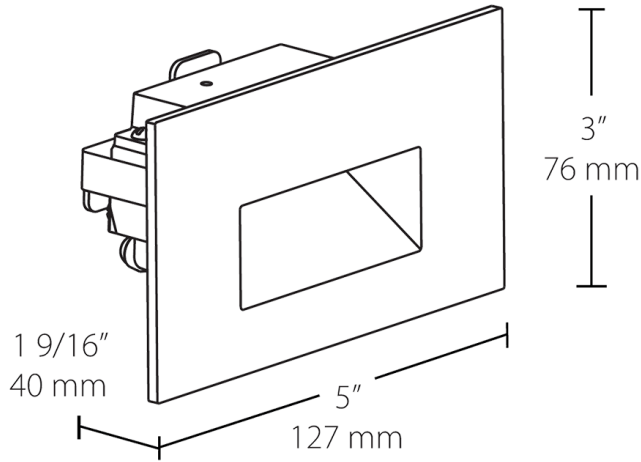
**THD:**

27.6% at 277V

**Power Factor:**

96.4% at 277V

**Dimensions**



**Features**

- Easy installation into a recessed 2" x 4" job
- Deep regress of light source eliminates glare
- Concealed hardware for a clean, sophisticated look
- Suitable for both indoor and outdoor use
- 5-Year, No-Compromise Warranty

**Ordering Matrix**

| Family | Orientation                    | Wattage | Color Temp   | Finish   | Voltage                    | Trim Options                                  |
|--------|--------------------------------|---------|--|--|----------------------------|---|
| FSLED  | H                              | 3       | YY   |  | /277                       |   |
|        | H = Horizontal<br>V = Vertical | 3 = 3W  | N = 4000K Neutral<br>Y = 3000K Warm<br>YY = 2700K Residential Warm | Blank = Bronze<br>W = White<br>B = Black<br>S = Matte Silver | /120 = 120V<br>/277 = 277V | Blank = Surface Plate<br>/TL = Trimless Mount |