



<b>Project:</b>	<b>Type:</b>
<b>Prepared By:</b>	<b>Date:</b>

Driver Info		LED Info	
Type	Constant Current	Watts	180W
120V	N/A	Color Temp	4000K/5000K
208V	N/A	Color Accuracy	81-83 CRI
240V	N/A	L70 Lifespan	100,000 Hours
277V	N/A	Lumens	17066-39017 lm
Input Watts	105.4-253.6W	Efficacy	149.8-163.7 lm/W

**Technical Specifications**

**Field Adjustability**

**Field Adjustable:**

Field Adjustable Light Output:  
230W/180W/120W (factory default 230W)  
Color temperature (selectable by 4000K and 5000K)

**Compliance**

**UL Listed:**

Suitable for wet locations. Suitable for mounting within 4ft (1.2m) of the ground.

**IP Rating:**

Ingress protection rating of IP66 for dust and water

**Trade Agreements Act Compliant:**

This product is a product of Cambodia and a "designated country" end product that complies with the Trade Agreements Act

**DLC Listed:**

This product is listed by Design Lights Consortium (DLC) as an ultra-efficient premium product that qualifies for the highest tier of rebates from DLC Member Utilities. Designed to meet DLC 5.1 requirements.  
DLC Product Code: P9VRPWVB

**LED Characteristics**

**LEDs:**

Long-life, high-efficacy, discrete, surface-mount LEDs

**Color Consistency:**

7-step MacAdam Ellipse binning to achieve consistent fixture-to-fixture color

**Color Stability:**

LED color temperature is warrantied to shift no more than 200K in color temperature over a 5-year period

**Color Uniformity:**

RAB's range of Correlated Color Temperature follows the guidelines of the American National Standard for (SSL) Products, ANSI C78.377-2017.

**Electrical**

**Driver:**

120W: Constant Current, Class 1, 480V, 50/60 Hz, 480V: 0.26A

180W: Constant Current, Class 2, 480V, 50/60 Hz, 480V: 0.39A

230W: Constant Current, Class 2, 480V, 50/60 Hz, 480V: 0.55A

**Dimming Driver:**

Driver includes dimming control wiring for 0-10V dimming systems. Requires separate 0-10V DC dimming circuit. Dims down to 10%.

**THD:**

11.36% at 480V

**Power Factor:**

92.37% at 480V

**Surge Protection:**

6kV

**Performance**

**Lifespan:**

100,000-Hour LED lifespan based on IES LM-80 results and TM-21 calculations

**Wattage Equivalency:**

230W: 1000W Metal Halide  
180W: 750W Metal Halide  
120W: 750W Metal Halide

**Optical**

**NEMA Type:**

NEMA Beam Spread of 7H x 6V

**Construction**

**Cold Weather Starting:**

The minimum starting temperature is -40°C (-40°F)

**Ambient Temperature :**

Max Power Temp Rating: 40°C (104°F)  
Middle Power Temp Rating: 50°C (121°F)  
Low Power Temp Rating: 60°C (140°F)

## Technical Specifications (continued)

**Housing:**

Die-cast aluminum

**Mounting:**

2 3/8" slipfitter mount with stainless steel hardware

**Tilt Increment:**

Rotates in 5 degree increments

**Effective Projected Area:**

EPA = 1.17

**Lens:**

Ultra clear, tempered glass

**Reflector:**

Vacuum metalized polycarbonate

**Gaskets:**

High-temperature silicone gaskets

**Finish:**

Formulated for high durability and long-lasting color

**Green Technology:**

Mercury and UV free. RoHS-compliant components.

**Other**

---

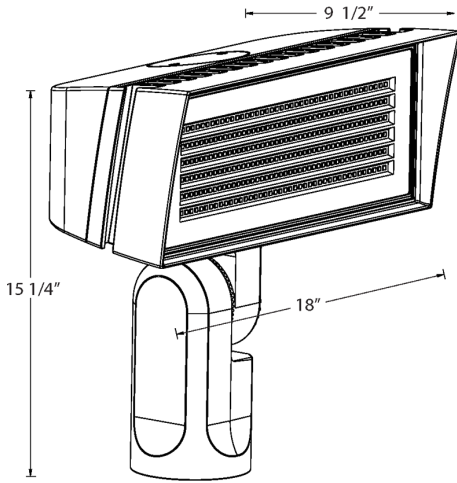
**Warranty:**

RAB warrants that our LED products will be free from defects in materials and workmanship for a period of ten (10) years from the date of delivery to the end user, including coverage of light output, color stability, driver performance and fixture finish. RAB's warranty is subject to all terms and conditions found at [rablighting.com/warranty](http://rablighting.com/warranty).

**Buy American Act Compliance:**

RAB values USA manufacturing! Upon request, RAB may be able to manufacture this product to be compliant with the Buy American Act (BAA). Please contact customer service to request a quote for the product to be made BAA compliant.

**Dimensions**



**Features**

- Ultra-efficient LED and optical design
- 100,000-hour life based on LM-80 results and TM-21 calculations
- DLC Premium Listed
- 10-Year, No-Compromise Warranty

**Ordering Matrix**

Family	Housing Size	Color Temp	Mounting	Finish	Voltage	Options
FFLED	L		SF	W	/480	
	<b>XS</b> = Field Adjustable 18W/13W/9W <b>S</b> = Field Adjustable 39W/26W/18W <b>M</b> = Field Adjustable 80W/52W <b>L</b> = Field Adjustable 230W/180W/120W	<b>Blank</b> = 4000K/5000K CCT Adjustable <b>Y</b> = 3000K Warm	<b>Blank</b> = Knuckle Mount <b>SF</b> = Slipfitter <b>T</b> = Trunnion	<b>Blank</b> = Bronze <b>W</b> = White	<b>Blank</b> = 120-277V, 0-10V Dimming <b>/480</b> = 480V, 0-10V Dimming	<b>Blank</b> = No Option <b>/7PR</b> = 7Pin Receptacle <b>/PCU</b> = 120-277V Button Photocell