



Rectangular shaped LED floodlight designed to replace 250W Metal Halide. patent-pending "Air-Flow" technology ensures long LED and driver lifespan. Use for building façades lighting, sign lighting, LED landscape lighting and instant-on security lighting.

Color: White

Weight: 12.6 lbs

<b>Project:</b>	<b>Type:</b>
<b>Prepared By:</b>	<b>Date:</b>

Driver Info		LED Info	
Type	Constant Current	Watts	80W
120V	0.74A	Color Temp	3000K (Warm)
208V	N/A	Color Accuracy	71 CRI
240V	N/A	L70 Lifespan	100,000 Hours
277V	N/A	Lumens	8,686 lm
Input Watts	85W	Efficacy	102.2 lm/W

## Technical Specifications

### Compliance

#### UL Listed:

Suitable for wet locations. Suitable for ground mounting.

#### IP Rating:

Ingress protection rating of IP66 for dust and water

#### Other

#### Note:

All values are typical (tolerance +/- 10%)

#### Warranty:

RAB warrants that our LED products will be free from defects in materials and workmanship for a period of five (5) years from the date of delivery to the end user, including coverage of light output, color stability, driver performance and fixture finish. RAB's warranty is subject to all terms and conditions found at [rablighting.com/warranty](http://rablighting.com/warranty).

#### Patents:

The FFLED design is protected by U.S. Pat. D643,147, Canada Pat. 140798, China Pat. ZL201130171304.1, Mexico Pat. 36757 and pending patent in Taiwan.

#### Buy American Act Compliance:

RAB values USA manufacturing! Upon request, RAB may be able to manufacture this product to be compliant with the Buy American Act (BAA). Please contact customer service to request a quote for the product to be made BAA compliant.

#### LED Characteristics

##### LEDs:

Multi-chip, high-output, long-life LEDs

##### Color Consistency:

3-step MacAdam Ellipse binning to achieve consistent fixture-to-fixture color

##### Color Stability:

LED color temperature is warrantied to shift no more than 200K in color temperature over a 5-year period

##### Color Uniformity:

RAB's range of Correlated Color Temperature follows the guidelines of the American National Standard for (SSL) Products, ANSI C78.377-2017.

#### Electrical

##### Driver:

Constant Current, Class 2, 100-277V, 50/60 Hz, 6 kV surge protection, 120V: 074 A, 208V: 048 A, 240V: 041 A, 277V: 036 A

#### Dimming Driver:

Driver includes dimming control wiring for 0-10V dimming systems. Requires separate 0-10V DC dimming circuit. Dims down to 10%.

#### THD:

4.42% at 120V, 7.36% at 277V

#### Power Factor:

99.7% at 120V, 94.4% at 277V

#### Performance

##### Lifespan:

100,000-Hour LED lifespan based on IES LM-80 results and TM-21 calculations

##### Wattage Equivalency:

Equivalent to 250W Metal Halide

#### Optical

##### NEMA Type:

NEMA Beam Spread of 5H x 5V

#### Construction

##### Ambient Temperature:

Suitable for use in up to 40°C (104°F)

##### Cold Weather Starting:

The minimum starting temperature is -40°C (-40°F)

**Technical Specifications (continued)****Thermal Management Housing:**

Superior heat sinking with external Air-Flow fins

**Housing:**

Die-cast aluminum housing, lens frame and mounting arm

**Threaded Size:**

1/2" threaded arm

**Mounting:**

Heavy-duty mounting arm with "O" ring seal & stainless steel screw

**Effective Projected Area:**

EPA = 0.65

**Reflector:**

Specular polycarbonate

**Gaskets:**

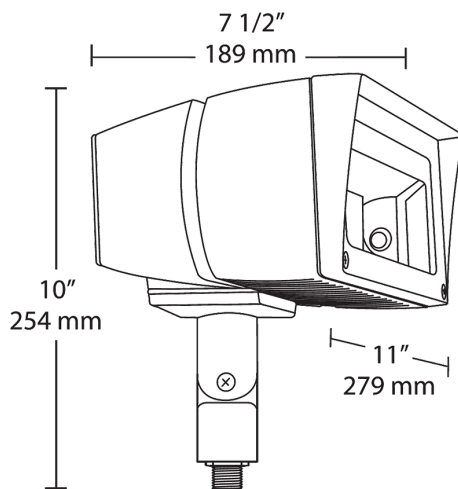
High-temperature silicone gaskets

**Finish:**

Formulated for high durability and long-lasting color

**Green Technology:**

Mercury and UV free. RoHS-compliant components.

**Dimensions****Features**

Ultra-efficient LED and optical design

Replaces 250W MH floodlights

100,000-hour life based on LM-80 results and TM-21 calculations

"Air-Flow" technology heatsink

5-Year, No-Compromise Warranty

Ordering Matrix

Family	Wattage	Mounting	Color Temp	NEMA Type	Finish	Driver	Options	Other Options
FFLED	80		Y	B55	W		/PC	
	18 = 18W 26 = 26W 39 = 39W 52 = 52W 80 = 80W	<b>Blank</b> = Swivel Arm <b>SF</b> = Slipfitter <b>T</b> = Trunnion	<b>Blank</b> = 5000K Cool <b>N</b> = 4000K Neutral <b>Y</b> = 3000K Warm	<b>Blank</b> = 7H x 6V <b>B55</b> = 5H x 5V <b>B44</b> = 4H x 4V	<b>Blank</b> = Bronze <b>W</b> = White	<b>Blank</b> = On/Off <sup>1</sup> <b>/D10</b> = 0-10V Dimming <b>/480</b> = 480V On/Off <sup>2</sup>	<b>Blank</b> = No Option <b>/PCU</b> = 120V Button Photocell <b>/PC</b> = 120V Photocell <b>/PC2</b> = 277V Photocell <b>/PCS</b> = 120V Swivel Photocell <b>/PCS2</b> = 277V Swivel Photocell <b>/PCS4</b> = 480V Swivel Photocell	<b>Blank</b> = Standard <b>USA</b> = BAA Compliant

<sup>1</sup> Dimming Driver for 18W, 26W & 39W models only

<sup>2</sup> Not available for 80W models