



Rectangular shaped LED floodlight designed to replace 250W Metal Halide. patent-pending "Air-Flow" technology ensures long LED and driver lifespan. Use for building façades lighting, sign lighting, LED landscape lighting and instant-on security lighting.

Color: White

Weight: 12.6 lbs

| | |
|---------------------|--------------|
| Project: | Type: |
| Prepared By: | Date: |

| Driver Info | | LED Info | |
|-------------|------------------|----------------|---------------|
| Type | Constant Current | Watts | 80W |
| 120V | 0.74A | Color Temp | 3000K (Warm) |
| 208V | N/A | Color Accuracy | 71 CRI |
| 240V | N/A | L70 Lifespan | 100,000 Hours |
| 277V | N/A | Lumens | 9,017 lm |
| Input Watts | 86W | Efficacy | 104.8 lm/W |

Technical Specifications

Compliance

UL Listed:

Suitable for wet locations. Suitable for ground mounting.

IP Rating:

Ingress protection rating of IP66 for dust and water

Other

Note:

All values are typical (tolerance +/- 10%)

Warranty:

RAB warrants that our LED products will be free from defects in materials and workmanship for a period of five (5) years from the date of delivery to the end user, including coverage of light output, color stability, driver performance and fixture finish. RAB's warranty is subject to all terms and conditions found at rablighting.com/warranty.

Patents:

The FFLED design is protected by U.S. Pat. D643,147, Canada Pat. 140798, China Pat. ZL201130171304.1, Mexico Pat. 36757 and pending patent in Taiwan.

Buy American Act Compliance:

RAB values USA manufacturing! Upon request, RAB may be able to manufacture this product to be compliant with the Buy American Act (BAA). Please contact customer service to request a quote for the product to be made BAA compliant.

LED Characteristics

LEDs:

Multi-chip, high-output, long-life LEDs

Color Consistency:

3-step MacAdam Ellipse binning to achieve consistent fixture-to-fixture color

Color Stability:

LED color temperature is warrantied to shift no more than 200K in color temperature over a 5-year period

Color Uniformity:

RAB's range of Correlated Color Temperature follows the guidelines of the American National Standard for (SSL) Products, ANSI C78.377-2017.

Electrical

Driver:

Constant Current, Class 2, 100-277V, 50/60 Hz, 6 kV surge protection, 120V: 074 A, 208V: 048 A, 240V: 041 A, 277V: 036 A

Dimming Driver:

Driver includes dimming control wiring for 0-10V dimming systems. Requires separate 0-10V DC dimming circuit. Dims down to 10%.

THD:

4.28% at 120V, 6.22% at 277V

Power Factor:

99.7% at 120V, 95.2% at 277V

Photocell:

120V Swivel photocell included. Photocell is only compatible with 120V.

Performance

Lifespan:

100,000-Hour LED lifespan based on IES LM-80 results and TM-21 calculations

Wattage Equivalency:

Equivalent to 250W Metal Halide

Optical

NEMA Type:

NEMA Beam Spread of 4H x 4V

Construction

Ambient Temperature:

Suitable for use in up to 40°C (104°F)

Technical Specifications (continued)

Cold Weather Starting:

The minimum starting temperature is -40°C (-40°F)

Thermal Management Housing:

Superior heat sinking with external Air-Flow fins

Housing:

Die-cast aluminum housing, lens frame and mounting arm

Threaded Size:

1/2" threaded arm

Mounting:

Heavy-duty mounting arm with "O" ring seal & stainless steel screw

Effective Projected Area:

EPA = 0.65

Reflector:

Specular polycarbonate

Gaskets:

High-temperature silicone gaskets

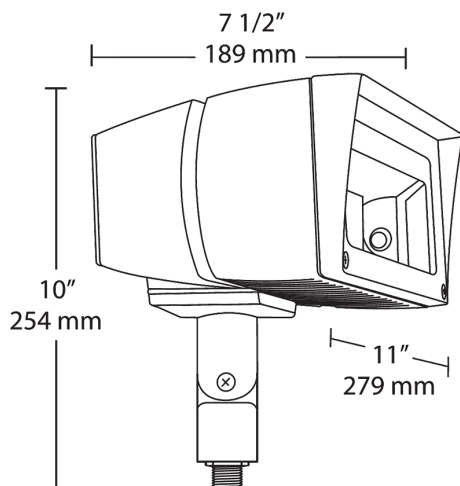
Finish:

Formulated for high durability and long-lasting color

Green Technology:

Mercury and UV free. RoHS-compliant components.

Dimensions



Features

- Ultra-efficient LED and optical design
- Replaces 250W MH floodlights
- 100,000-hour life based on LM-80 results and TM-21 calculations
- "Air-Flow" technology heatsink
- 5-Year, No-Compromise Warranty

Ordering Matrix

| Family | Wattage | Mounting | Color Temp | NEMA Type | Finish | Driver | Options | Other Options |
|--------|--|--|--|--|---|---|---|---|
| FFLED | 80 | | Y | B44 | W | | /PCS | |
| | 18 = 18W 26 = 26W 39 = 39W 52 = 52W 80 = 80W | Blank = Swivel Arm SF = Slipfitter T = Trunnion | Blank = 5000K Cool N = 4000K Neutral Y = 3000K Warm | Blank = 7H x 6V B55 = 5H x 5V B44 = 4H x 4V | Blank = Bronze W = White | Blank = On/Off ¹ /D10 = 0-10V Dimming /480 = 480V On/Off ² | Blank = No Option /PCU = 120V Button Photocell /PC = 120V Photocell /PC2 = 277V Photocell /PCS = 120V Swivel Photocell /PCS2 = 277V Swivel Photocell /PCS4 = 480V Swivel Photocell | Blank = Standard USA = BAA Compliant |

¹ Dimming Driver for 18W, 26W & 39W models only

² Not available for 80W models