

Technical Specifications (continued)

Color Stability:

LED color temperature is warranted to shift no more than 200K in color temperature over a 5-year period

Color Uniformity:

RAB's range of Correlated Color Temperature follows the guidelines of the American National Standard for (SSL) Products, ANSI C78.377-2017.

Optical

NEMA Type:

NEMA Beam Spread of 5H x 5V

Electrical

Driver:

Constant Current, Class 2, 120-277V, 50-60Hz, 120V: 0.35A, 208V: 0.23A, 240V: 0.13A, 277V: 0.11A

Dimming Driver:

Driver includes dimming control wiring for 0-10V dimming systems. Requires separate 0-10V DC dimming circuit. Dims down to 10%.

THD:

10.18% at 120V, 18.18% at 277V

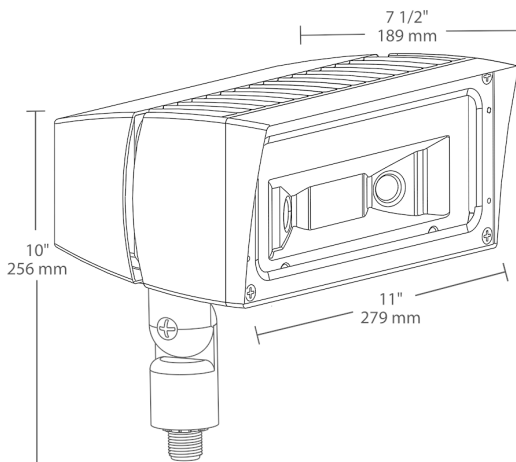
Power Factor:

99% at 120V, 91.4% at 277V

Photocell:

277V Swivel photocell included. Photocell is compatible with 208V-277V.

Dimensions



Features

- Ultra-efficient LED and optical design
- Replaces 150W MH floodlights
- 100,000-hour life based on LM-80 results and TM-21 calculations
- "Air-Flow" technology heatsink
- 5-Year, No-Compromise Warranty

Ordering Matrix

Family	Wattage	Mounting	Color Temp	NEMA Type	Finish	Driver	Options	Other Options
FFLED	39			B55	W		/PCS2	
	18 = 18W 26 = 26W 39 = 39W 52 = 52W 80 = 80W	SF = Slipfitter T = Trunnion Blank = Swivel Arm	Blank = 5000K Cool N = 4000K Neutral Y = 3000K Warm	Blank = 7H x 6V B55 = 5H x 5V B44 = 4H x 4V	Blank = Bronze W = White	Blank = On/Off ¹ /D10 = 0-10V Dimming /480 = 480V On/Off ² /E = 120-277V Battery Backup /EC = Cold Start Battery Backup	Blank = No Option /PC = 120V Photocell /PC2 = 277V Photocell /PCS = 120V Swivel Photocell /PCS2 = 277V Swivel Photocell /PCS4 = 480V Swivel Photocell /PCU = 120-277V Button Photocell /MS = Mini Sensor /STL3 = Stealth Sensor	Blank = Standard USA = BAA Compliant

¹ Dimming Driver for 18W, 26W & 39W models only

² Not available for 80W models