



Rectangular shaped LED floodlight designed to replace 150W Metal Halide. patent-pending "Air-Flow" technology ensures long LED and driver lifespan. Use for building façades lighting, sign lighting, LED landscape lighting and instant-on security lighting.

Color: White

Weight: 10.2 lbs

**Project:**

**Type:**

**Prepared By:**

**Date:**

#### Driver Info

Type	Constant Current
120V	0.35A
208V	0.23A
240V	0.20A
277V	0.16A
Input Watts	40.7W

#### LED Info

Watts	39W
Color Temp	5000K (Cool)
Color Accuracy	75 CRI
L70 Lifespan	100,000 Hours
Lumens	5,281 lm
Efficacy	129.8 lm/W

## Technical Specifications

### Compliance

#### UL Listed:

Suitable for wet locations. Suitable for mounting within 4ft (1.2m) of the ground.

#### IP Rating:

Ingress protection rating of IP66 for dust and water

### Performance

#### Lifespan:

100,000-Hour LED lifespan based on IES LM-80 results and TM-21 calculations

#### Wattage Equivalency:

Equivalent to 150W Metal Halide

### Other

#### Note:

All values are typical (tolerance +/- 10%)

#### Warranty:

RAB warrants that our LED products will be free from defects in materials and workmanship for a period of five (5) years from the date of delivery to the end user, including coverage of light output, color stability, driver performance and fixture finish. RAB's warranty is subject to all terms and conditions found at [rablighting.com/warranty](http://rablighting.com/warranty).

#### Patents:

The FFLED design is protected by U.S. Pat. D643,147, Canada Pat. 140798, China Pat. ZL201130171304.1, Mexico Pat. 36757 and pending patent in Taiwan.

#### Buy American Act Compliance:

RAB values USA manufacturing! Upon request, RAB may be able to manufacture this product to be compliant with the Buy American Act (BAA). Please contact customer service to request a quote for the product to be made BAA compliant.

### Construction

#### Lens:

Soda lime silica clear glass

#### Housing:

Die-cast aluminum housing, lens frame and mounting arm

#### Mounting:

Heavy-duty mounting arm with "O" ring seal & stainless steel screw

#### Maximum Ambient Temperature:

Suitable for use in up to 40°C (104°F)

#### Cold Weather Starting:

The minimum starting temperature is -40°C (-40°F)

#### Effective Projected Area:

EPA = 0.65

#### Green Technology:

Mercury and UV free. RoHS-compliant components.

#### Finish:

Formulated for high durability and long-lasting color

### LED Characteristics

#### LEDs:

Long-life, high-efficacy, surface-mount LEDs

#### Color Consistency:

3-step MacAdam Ellipse binning to achieve consistent fixture-to-fixture color

#### Color Stability:

LED color temperature is warranted to shift no more than 200K in color temperature over a 5-year period

#### Color Uniformity:

RAB's range of Correlated Color Temperature follows the guidelines of the American National Standard for (SSL) Products, ANSI C78.377-2017.

### Optical

#### NEMA Type:

NEMA Beam Spread of 4H x 4V

## Technical Specifications (continued)

### Electrical

#### Driver:

Constant Current, Class 2, 120-277V, 50-60Hz, 120V:  
0.35A, 208V: 0.23A, 240V: 0.13A, 277V: 0.11A

#### Dimming Driver:

Driver includes dimming control wiring for 0-10V dimming systems. Requires separate 0-10V DC dimming circuit. Dims down to 10%.

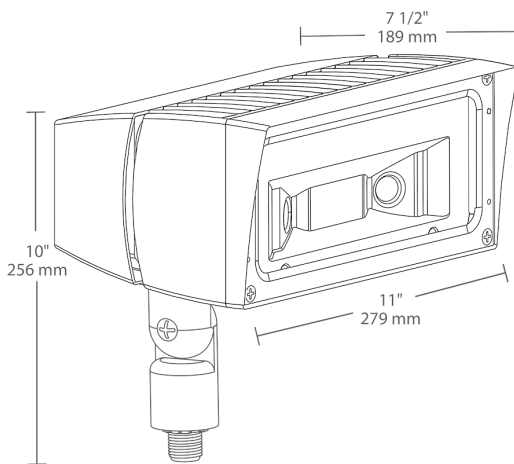
#### THD:

10.18% at 120V, 18.18% at 277V

#### Power Factor:

99% at 120V, 91.4% at 277V

## Dimensions



## Features

- Ultra-efficient LED and optical design
- Replaces 150W MH floodlights
- 100,000-hour life based on LM-80 results and TM-21 calculations
- "Air-Flow" technology heatsink
- 5-Year, No-Compromise Warranty

Ordering Matrix

Family	Wattage	Mounting	Color Temp	NEMA Type	Finish	Driver	Options	Other Options
FFLED	39			B44	W			
	18 = 18W 26 = 26W 39 = 39W 52 = 52W 80 = 80W	SF = Slipfitter T = Trunnion Blank = Swivel Arm	Blank = 5000K Cool N = 4000K Neutral Y = 3000K Warm	Blank = 7H x 6V B55 = 5H x 5V B44 = 4H x 4V	Blank = Bronze W = White	Blank = On/Off <sup>1</sup> /D10 = 0-10V Dimming /480 = 480V On/Off <sup>2</sup> /E = 120-277V Battery Backup /EC = Cold Start Battery Backup	Blank = No Option /PC = 120V Photocell /PC2 = 277V Photocell /PCS = 120V Swivel Photocell /PCS2 = 277V Swivel Photocell /PCS4 = 480V Swivel Photocell /PCU = 120-277V Button Photocell /MS = Mini Sensor /STL3 = Stealth Sensor	Blank = Standard USA = BAA Compliant

<sup>1</sup> Dimming Driver for 18W, 26W & 39W models only

<sup>2</sup> Not available for 80W models