

Rectangular shaped LED floodlight designed to replace 70W Metal Halide. patent-pending "Air-Flow" technology ensures long LED and driver lifespan. Use for building façades lighting, sign lighting, LED landscape lighting and instant-on security lighting.

Color: White

Weight: 3.9 lbs

Project:	Type:
Prepared By:	Date:

Driver Info		LED Info	
Type	Constant Current	Watts	18W
120V	0.2A	Color Temp	5000K (Cool)
208V	N/A	Color Accuracy	71 CRI
240V	N/A	L70 Lifespan	100,000 Hours
277V	N/A	Lumens	2,429 lm
Input Watts	19.7W	Efficacy	123.3 lm/W

Technical Specifications

Electrical

Driver:

Constant Current, Class 2, 120V, 50 - 60 Hz, 120VAC 0.2 Amps.

THD:

11.89% at 120V

Power Factor:

98.7% at 120V, 91% at 277V

Surge Protection:

6kV

Manual Override:

Double flip wall switch logic prevents activation by brief power outages. Resets after 6 hours. No extra wiring needed.

RF Immunity:

Circuits fully shielded for maximum radio frequency immunity

Ratings:

5 amps

Power Consumption:

Negligible

Manual Switch:

None

Performance

Lifespan:

100,000-Hour LED lifespan based on IES LM-80 results and TM-21 calculations

Wattage Equivalency:

Equivalent to 70W Metal Halide

Compliance

IP Rating:

Ingress protection rating of IP66 for dust and water

UL Listed:

Suitable for wet locations. Suitable for ground mounting.

DLC Listed:

This product is listed by Design Lights Consortium (DLC) as an ultra-efficient premium product that qualifies for the highest tier of rebates from DLC Member Utilities. Designed to meet DLC 5.1 requirements.
DLC Product Code: S-ZL2GY0

Optical

NEMA Type:

NEMA Beam Spread of 7H x 6V

Construction

Airflow:

Airflow technology heat sink for superior cooling

Ambient Temperature:

Suitable for use in up to 40°C (104°F)

Cold Weather Starting:

The minimum starting temperature is -40°C (-40°F)

Thermal Management Housing:

Die-cast aluminum housing, lens frame and mounting arm

Mounting:

Heavy-duty mounting arm with "O" ring seal & stainless steel screw

Reflector:

Semi-specular anodized aluminum

Gaskets:

High-temperature silicone gaskets

Finish:

Formulated for high durability and long-lasting color

Green Technology:

Mercury and UV free. RoHS-compliant components.

Other

Note:

All values are typical (tolerance +/- 10%)

Technical Specifications (continued)

Warranty:

RAB warrants that our LED products will be free from defects in materials and workmanship for a period of five (5) years from the date of delivery to the end user, including coverage of light output, color stability, driver performance and fixture finish. RAB's warranty is subject to all terms and conditions found at rablighting.com/warranty.

Patents:

The FFLED design is protected by U.S. Pat. D643,147, Canada Pat. 140798, China Pat. ZL201130171304.1, Mexico Pat. 36757 and pending patent in Taiwan.

Buy American Act Compliance:

RAB values USA manufacturing! Upon request, RAB may be able to manufacture this product to be compliant with the Buy American Act (BAA). Please contact customer service to request a quote for the product to be made BAA compliant.

LED Characteristics

LEDs:

Multi-chip, high-output, long-life LEDs

Color Consistency:

3-step MacAdam Ellipse binning to achieve consistent fixture-to-fixture color

Color Stability:

LED color temperature is warrantied to shift no more than 200K in color temperature over a 5-year period

Color Uniformity:

RAB's range of Correlated Color Temperature follows the guidelines of the American National Standard for (SSL) Products, ANSI C78.377-2017.

LED Detection Indicator:

LED glows red day & night for "on guard" deterrence

Sensor Specifications

Time Adjustment:

5 seconds to 15 minutes

Quick Test Time:

5 second test time for fast installation. Works day or night.

"No Hands" Auto Testing:

Auto mode starts after 4 minutes of testing. No adjustment needed.

Photoelectric Control:

Deactivates lights during daylight. Fully adjustable for 24 hour operation or custom applications.

Time Delay:

5 seconds to 15 minutes

Ambient Light Sensing:

Adjustable

Adjustments:

Time, ambient light & sensitivity

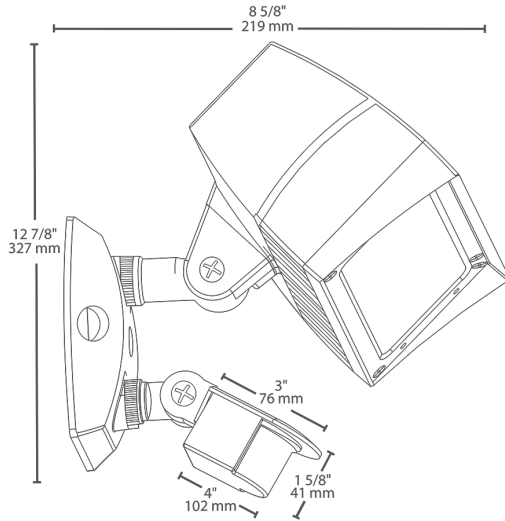
Detection:

180° detection pattern

Sensor Switching Capacity:

5 Amps, 450W LED @ 120 Volts 0.8pF Driver; 5 Amps, 300W LED @ 120 Volts 0.5pF Driver.

Dimensions



Features

- Ultra-efficient LED and optical design
- Replaces 70W MH floodlights
- 100,000-hour life based on LM-80 results and TM-21 calculations
- NEMA type - 7H x 6V
- "Air-Flow" technology heatsink
- 5-Year, No-Compromise Warranty

Ordering Matrix

Family	Wattage	Mounting	Color Temp	NEMA Type	Finish	Driver	Options	Other Options
FFLED	18				W		/MS	
	18 = 18W	Blank = Knuckle Mount	Blank = 5000K Cool N = 4000K Neutral Y = 3000K Warm	Blank = 7H x 6V	Blank = Bronze W = White	Blank = On/Off ¹ /E = 120-277V Battery Backup /EC = Cold Start Battery Backup	Blank = No Option /PCS = 120V Swivel Photocell /PCS2 = 277V Swivel Photocell /PCS4 = 480V Swivel Photocell /PCU = 120-277V Button Photocell /MS = Mini Sensor /STL3 = Stealth Sensor	Blank = Standard

¹ Dimming Driver for 18W, 26W & 39W models only

² Not available for 80W models