

INSTRUCTIONS

FFLED® 180W 230W INSTALLATION



RAB Lighting is committed to creating high-quality, affordable, well-designed and energy-efficient LED lighting and controls that make it easy for electricians to install and end users to save energy. We'd love to hear your comments. Please call the Marketing Department at 888-RAB-1000 or email: marketing@rablighting.com



Slipfitter Mount



Trunnion Mount

IMPORTANT

READ CAREFULLY BEFORE INSTALLING FIXTURE. RETAIN THESE INSTRUCTIONS FOR FUTURE REFERENCE.

RAB fixtures must be wired in accordance with the National Electrical Code and all applicable local codes. Proper grounding is required for safety. THIS PRODUCT MUST BE INSTALLED IN ACCORDANCE WITH THE APPLICABLE INSTALLATION CODE BY A PERSON FAMILIAR WITH THE CONSTRUCTION AND OPERATION OF THE PRODUCT AND THE HAZARDS INVOLVED.

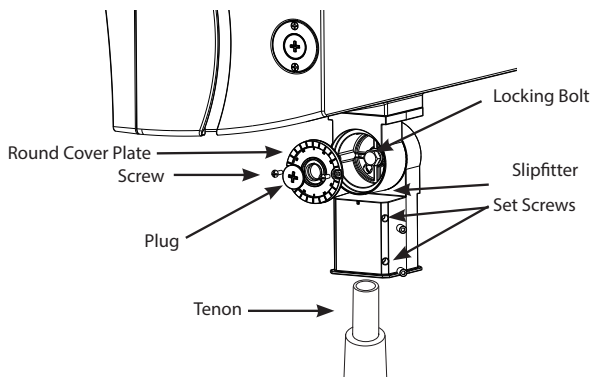
WARNING: Make certain power is OFF before installing or maintaining fixture. No user serviceable parts inside.

WARNING: RISK OF SERIOUS INJURY OR DEATH!

DO NOT MOUNT THE SLIPFITTER TO A TENON OR BRACKET THAT IS MORE THAN 20 DEGREES FROM VERTICAL. MOUNTING AT ANY ANGLE OTHER THAN 0-20 DEGREES INCREASES THE RISK OF DISENGAGEMENT AND/OR FAILURE OF THE SLIPFITTER. INSTALL THE POLE ON A SECURE BASE OR INSTALL THE BRACKET TO A WALL FIRST. THEN PLACE LUMINAIRE ONTO THE POLE OR BRACKET. DO NOT LIFT LUMINAIRE ASSEMBLED TO POLE OR BRACKET. LUMINAIRE MAY DISENGAGE.

SLIPFITTER MOUNTING

1. The **Slipfitter Mounting** fits a 2 3/8" O.D. **Tenon**. Place the **Slipfitter** over the **Tenon** and secure the fixture with the **Set Screws** on the side of the **Slipfitter**.
2. To adjust the angle of the **Slipfitter**, remove **Screws** and **Plug** on **Round Cover Plate**. Remove the **Round Cover Plate**. Loosen the **Locking Bolt** and adjust the angle of the fixture as desired.
3. Feed supply wires from **Tenon** to **Slipfitter** and make necessary connections in the **Slipfitter** and knot wires for strain relief.
4. Tighten the **Locking Bolt** and re-attach **Round Cover Plate**. Seal **Plug** on side of **Round Cover plate** with Teflon Tape or silicone sealant.

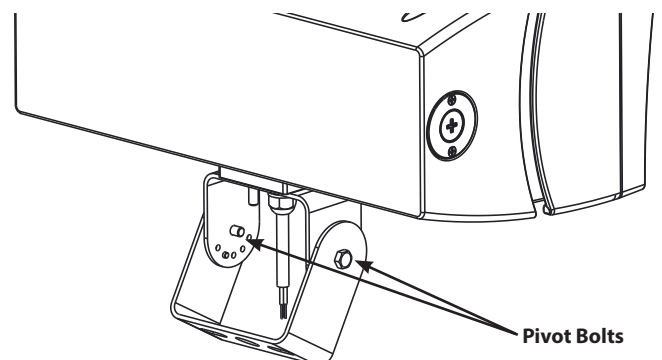


TRUNNION MOUNTING

CAUTION: UL and C-UL listed or CSA certified liquid tight cord grip suitable for use with STW flexible cord shall be used for connection to a wet location outlet box provided by others.

To adjust the angle of the fixture using the **Trunnion**:

1. Loosen the **Pivot Bolts** & angle locking screw.
2. Adjust fixture to desired angle.
3. Tighten **Pivot Bolts** & angle locking screw.



INSTRUCTIONS

FFLED® 180W 230W INSTALLATION

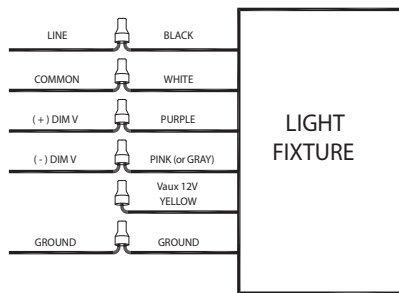


RAB Lighting is committed to creating high-quality, affordable, well-designed and energy-efficient LED lighting and controls that make it easy for electricians to install and end users to save energy. We'd love to hear your comments. Please call the Marketing Department at 888-RAB-1000 or email: marketing@rablighting.com

0-10V DIMMABLE WIRING

Universal voltage driver permits operation at 120V thru 277V, 50 or 60 Hz. For 0-10V Dimming follow the wiring directions shown below.

1. Connect the black fixture lead to the (+) **LINE** supply lead.
2. Connect the white fixture lead to the (-) **COMMON** supply lead.
3. Connect the **GROUND** wire from fixture to supply ground. Do NOT connect the **GROUND** of the dimming fixture to the output.
4. Connect the purple fixture lead to the (V+) DIM lead.
5. Connect the pink (or gray) fixture lead to the (V-) DIM lead.
6. Cap the yellow fixture lead, if present. Do NOT connect.

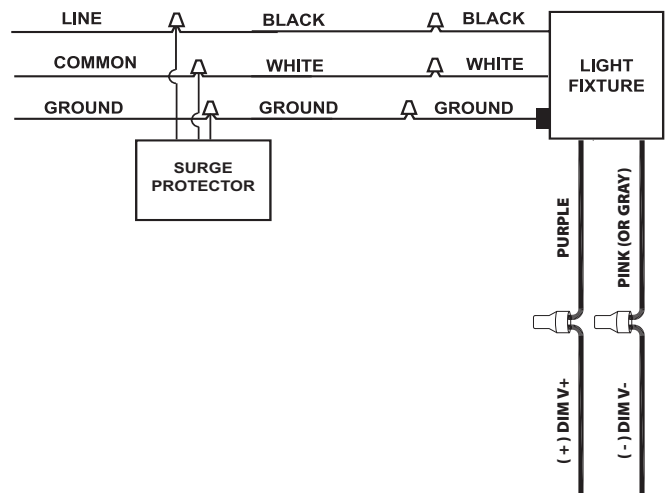


SURGE PROTECTOR OPTION

Units ordered with (/SP) suffix are provided with 10kV surge protector secured within the fixture. Follow wiring directions as shown below.

1. Connect the black fixture lead to the **LINE** supply lead and black surge protector wire.
2. Connect the white fixture lead to the **COMMON** supply lead and white surge protector wire.
3. Connect the **GROUND** wire from fixture to supply ground and green surge protector wire.
4. Connect the purple fixture lead to the (V+) DIM lead.
5. Connect the pink (or gray) fixture lead to the (V-) DIM lead.

NOTE: Do not connect DIM V+ (purple)/ DIM V- (pink/gray) to line voltage or supply ground.



CLEANING & MAINTENANCE

CAUTION: Be sure fixture temperature is cool enough to touch. Do not clean or maintain while fixture is energized.

1. Lens should be washed in a solution of warm water and any mild, non-abrasive household detergent, rinsed with clean water and wiped dry. Do not use chemicals to clean fixture.
2. Do not open the fixture to clean the LED. Do not touch the LED.

TROUBLESHOOTING

1. Check that the line voltage at the fixture is correct. Refer to wiring directions.
2. Is the fixture grounded properly?
3. Is the photocell, if used, functioning properly?

Note: These instructions do not cover all details or variations in equipment nor do they provide for every possible situation during installation, operation or maintenance.



© 2022 RAB LIGHTING Inc.

Easy Answers

rablighting.com
Visit our website for product info

Tech Help Line
Call our experts: 888 722-1000

e-mail
Answered promptly - sales@rablighting.com

Free Lighting Layouts
Answered online or by request

FFLED 180W 230W - IN - 1221
73529-RAB

RAB WARRANTY: RAB's warranty is subject to all terms and conditions found at rablighting.com/warranty.