



## Technical Specifications (continued)

### Mounting:

Heavy-duty slipfitter for 2 3/8" OD pipe

### Lens:

Clear glass lens

### Reflector:

Specular vacuum-metalized polycarbonate

### Effective Projected Area:

EPA = 2.1

### Gaskets:

High-temperature silicone gaskets

### Finish:

Formulated for high durability and long-lasting color

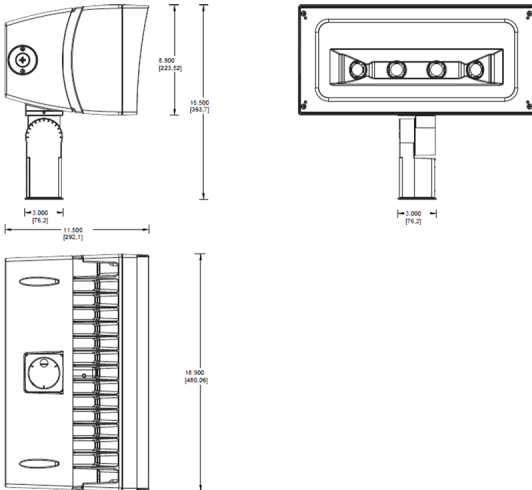
### Green Technology:

Mercury and UV free. RoHS-compliant components.

### Tilt Increment:

Rotates in 6 degree increments

## Dimensions



## Features

- Ultra-efficient LED and optical design
- 100,000-hour life based on LM-80 results and TM-21 calculations
- "Air-Flow" technology heatsink
- 5-Year, No-Compromise Warranty

## Ordering Matrix

| Family | Wattage                  | Mounting                        | Color Temp                                                | Beam Spread                                       | Finish                      | Driver Options                                                     | Options                                                                                                                                                                                            |
|--------|--------------------------|---------------------------------|-----------------------------------------------------------|---------------------------------------------------|-----------------------------|--------------------------------------------------------------------|----------------------------------------------------------------------------------------------------------------------------------------------------------------------------------------------------|
| FFLED  | 180                      | SF                              | Y                                                         | B44                                               | W                           | /D10                                                               | /PCT                                                                                                                                                                                               |
|        | 180 = 180W<br>230 = 230W | SF = Slipfitter<br>T = Trunnion | Blank = 5000K Cool<br>N = 4000K Neutral<br>Y = 3000K Warm | Blank = 7H x 6V<br>B44 = 4H x 4V<br>B55 = 5H x 5V | Blank = Bronze<br>W = White | /D10 = 120-277V, 0-10V Dimming<br>/480/D10 = 480V w/ 0-10V Dimming | Blank = No Option<br>/7PR = 7-Pin Receptacle<br>/PCT = 3-Pin Twistlock Photocell 120-277V<br>/PCT4 = 3-Pin Twistlock Photocell 480V<br>/LC = Lightcloud® Controller<br>/SP = 10kV Surge Suppressor |