



Rectangular shaped LED floodlight with patent-pending "Air-Flow" fins to keep it running cool. Suggested application: building façades, signage, landscapes.

Color: Bronze

Weight: 20.6 lbs

<b>Project:</b>	<b>Type:</b>
<b>Prepared By:</b>	<b>Date:</b>

Driver Info		LED Info	
Type	Constant Current	Watts	180W
120V	1.58A	Color Temp	5000K (Cool)
208V	0.94A	Color Accuracy	76 CRI
240V	0.82A	L70 Lifespan	100,000 Hours
277V	0.69A	Lumens	26,181 lm
Input Watts	188.4W	Efficacy	139 lm/W

## Technical Specifications

### Compliance

#### UL Listed:

Suitable for wet locations. Suitable for mounting within 4ft (1.2m) of the ground.

#### IP Rating:

Ingress protection rating of IP66 for dust and water

### Electrical

#### Driver:

Constant Current, Class 1, 120-277V, 50/60 Hz, 120V: 1.58A, 208V: 0.94A, 240V: 0.82A, 277V: 0.69A

#### THD:

6% at 120V, 8.7% at 277V

#### Power Factor:

99.8% at 120V, 96.2% at 277V

#### Surge Protection:

6kV

### Other

#### Note:

All values are typical (tolerance +/- 10%)

### Warranty:

RAB warrants that our LED products will be free from defects in materials and workmanship for a period of five (5) years from the date of delivery to the end user, including coverage of light output, color stability, driver performance and fixture finish. RAB's warranty is subject to all terms and conditions found at [rablighting.com/warranty](http://rablighting.com/warranty).

### Patents:

The FFLED design is protected by U.S. Pat. D643,147, Canada Pat. 140798, China Pat. ZL201130171304.1, Mexico Pat. 36757 and pending patent in Taiwan.

### Buy American Act Compliance:

RAB values USA manufacturing! Upon request, RAB may be able to manufacture this product to be compliant with the Buy American Act (BAA). Please contact customer service to request a quote for the product to be made BAA compliant.

### LED Characteristics

#### LEDs:

Multi-chip, high-output, long-life LEDs

### Color Stability:

LED color temperature is warrantied to shift no more than 200K in color temperature over a 5-year period

### Color Uniformity:

RAB's range of Correlated Color Temperature follows the guidelines of the American National Standard for (SSL) Products, ANSI C78.377-2017.

### Performance

#### Lifespan:

100,000-Hour LED lifespan based on IES LM-80 results and TM-21 calculations

#### Wattage Equivalency:

Equivalent to 750W Metal Halide

### Optical

#### NEMA Type:

NEMA Beam Spread 5H x 5V

### Construction

#### Cold Weather Starting:

The minimum starting temperature is -40°C (-40°F)

#### Ambient Temperature:

Suitable for use in up to 40°C (104°F)

### Thermal Management Housing:

Superior heat sinking with external Air-Flow fins

### Housing:

Die-cast aluminum housing, lens frame and mounting arm

## Technical Specifications (continued)

### Mounting:

Heavy-duty slipfitter for 2 3/8" OD pipe

### Lens:

Clear glass lens

### Reflector:

Specular vacuum-metalized polycarbonate

### Effective Projected Area:

EPA = 2.1

### Gaskets:

High-temperature silicone gaskets

### Finish:

Formulated for high durability and long-lasting color

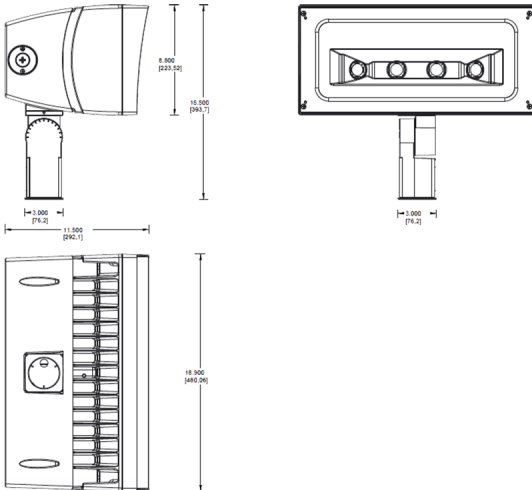
### Green Technology:

Mercury and UV free. RoHS-compliant components.

### Tilt Increment:

Rotates in 6 degree increments

## Dimensions



## Features

- Ultra-efficient LED and optical design
- 100,000-hour life based on LM-80 results and TM-21 calculations
- "Air-Flow" technology heatsink
- 5-Year, No-Compromise Warranty

## Ordering Matrix

Family	Wattage	Mounting	Color Temp	Beam Spread	Finish	Driver Options	Options
FFLED	180	SF		B55		/D10	/SP
	180 = 180W 230 = 230W	SF = Slipfitter T = Trunnion	Blank = 5000K Cool N = 4000K Neutral Y = 3000K Warm	Blank = 7H x 6V B44 = 4H x 4V B55 = 5H x 5V	Blank = Bronze W = White	/D10 = 120-277V, 0-10V Dimming /480/D10 = 480V w/ 0-10V Dimming	Blank = No Option /7PR = 7-Pin Receptacle /PCT = 3-Pin Twistlock Photocell 120-277V /PCT4 = 3-Pin Twistlock Photocell 480V /LC = Lightcloud® Controller /SP = 10kV Surge Suppressor