



Rectangular shaped LED floodlight with patent-pending "Air-Flow" fins to keep it running cool. Suggested application: building façades, signage, landscapes.

Color: Bronze

Weight: 20.6 lbs

Project:

Type:

Prepared By:

Date:

### Driver Info

|             |                  |
|-------------|------------------|
| Type        | Constant Current |
| 120V        | N/A              |
| 208V        | N/A              |
| 240V        | N/A              |
| 277V        | N/A              |
| Input Watts | 187.5W           |

### LED Info

|                |               |
|----------------|---------------|
| Watts          | 180W          |
| Color Temp     | 5000K (Cool)  |
| Color Accuracy | 76 CRI        |
| L70 Lifespan   | 100,000 Hours |
| Lumens         | 25,388 lm     |
| Efficacy       | 135.4 lm/W    |

## Technical Specifications

### Compliance

#### UL Listed:

Suitable for wet locations. Suitable for mounting within 4ft (1.2m) of the ground.

#### IP Rating:

Ingress protection rating of IP66 for dust and water

### Other

#### Note:

All values are typical (tolerance +/- 10%)

#### Warranty:

RAB warrants that our LED products will be free from defects in materials and workmanship for a period of five (5) years from the date of delivery to the end user, including coverage of light output, color stability, driver performance and fixture finish. RAB's warranty is subject to all terms and conditions found at [rablighting.com/warranty](http://rablighting.com/warranty).

#### Patents:

The FFLED design is protected by U.S. Pat. D643,147, Canada Pat. 140798, China Pat. ZL201130171304.1, Mexico Pat. 36757 and pending patent in Taiwan.

### Buy American Act Compliance:

RAB values USA manufacturing! Upon request, RAB may be able to manufacture this product to be compliant with the Buy American Act (BAA). Please contact customer service to request a quote for the product to be made BAA compliant.

### LED Characteristics

#### LEDs:

Multi-chip, high-output, long-life LEDs

#### Color Stability:

LED color temperature is warranted to shift no more than 200K in color temperature over a 5-year period

#### Color Uniformity:

RAB's range of Correlated Color Temperature follows the guidelines of the American National Standard for (SSL) Products, ANSI C78.377-2017.

### Performance

#### Lifespan:

100,000-Hour LED lifespan based on IES LM-80 results and TM-21 calculations

#### Wattage Equivalency:

Equivalent to 750W Metal Halide

### Optical

#### NEMA Type:

NEMA Beam Spread of 4H x 4V

### Construction

#### Cold Weather Starting:

The minimum starting temperature is -40°C (-40°F)

#### Ambient Temperature:

Suitable for use in up to 40°C (104°F)

#### Thermal Management Housing:

Superior heat sinking with external Air-Flow fins

#### Housing:

Die-cast aluminum housing, lens frame and mounting arm

#### Mounting:

Heavy-duty slipfitter for 2 3/8"OD pipe

#### Lens:

Clear glass lens

#### Reflector:

Specular vacuum-metalized polycarbonate

#### Effective Projected Area:

EPA = 2.1

## Technical Specifications (continued)

### Gaskets:

High-temperature silicone gaskets

### Finish:

Formulated for high durability and long-lasting color

### Green Technology:

Mercury and UV free. RoHS-compliant components.

### Tilt Increment:

Rotates in 6 degree increments

## Electrical

### Driver:

Constant Current, Class 1, 480V, 50/60 Hz, 480V:  
0.41A

### THD:

11.3% at 480V

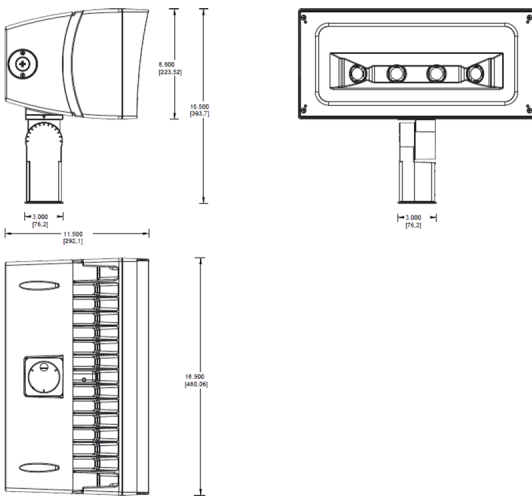
### Power Factor:

94.4% at 480V

### Surge Protection:

6kV

## Dimensions



## Features

- Ultra-efficient LED and optical design
- 100,000-hour life based on LM-80 results and TM-21 calculations
- "Air-Flow" technology heatsink
- 5-Year, No-Compromise Warranty

## Ordering Matrix

| Family | Wattage                  | Mounting                        | Color Temp  | Beam Spread                                       | Finish                      | Driver Options   | Options  |
|--------|--------------------------|---------------------------------|---|---|-----------------------------|--|--|
| FFLED  | 180                      | SF                              |   | B44   |                             | /480/D10   |  |
|        | 180 = 180W<br>230 = 230W | SF = Slipfitter<br>T = Trunnion | Blank = 5000K Cool<br>N = 4000K Neutral<br>Y = 3000K Warm | Blank = 7H x 6V<br>B44 = 4H x 4V<br>B55 = 5H x 5V | Blank = Bronze<br>W = White | /D10 = 120-277V, 0-10V Dimming<br>/480/D10 = 480V w/ 0-10V Dimming | Blank = No Option<br>/7PR = 7-Pin Receptacle<br>/PCT = 3-Pin Twistlock<br>Photocell 120-277V<br>/PCT4 = 3-Pin Twistlock<br>Photocell 480V<br>/LC = Lightcloud® Controller<br>/SP = 10kV Surge Suppressor |