



Rectangular shaped LED floodlight designed to replace 70W Metal Halide. patent-pending "Air-Flow" technology ensures long LED and driver lifespan. Use for building façades lighting, sign lighting, LED landscape lighting and instant-on security lighting.

Color: Bronze

Weight: 5.7 lbs

Project:	Type:
Prepared By:	Date:

Driver Info		LED Info	
Type	Constant Current	Watts	18W
120V	0.2A	Color Temp	5000K (Cool)
208V	0.15A	Color Accuracy	71 CRI
240V	0.13A	L70 Lifespan	100,000 Hours
277V	0.11A	Lumens	2,429 lm
Input Watts	19.7W	Efficacy	123.3 lm/W

Technical Specifications

Compliance

UL Listed:

Suitable for wet locations. Suitable for ground mounting.

IP Rating:

Ingress protection rating of IP66 for dust and water

Trade Agreements Act Compliant:

This product is a product of Cambodia and a "designated country" end product that complies with the Trade Agreements Act

DLC Listed:

This product is listed by Design Lights Consortium (DLC) as an ultra-efficient premium product that qualifies for the highest tier of rebates from DLC Member Utilities. Designed to meet DLC 5.1 requirements.

DLC Product Code: S-ZL2GY0

Electrical

Driver:

Constant Current, Class 2, 120-277V, 50 - 60 Hz, 120V: 0.2A, 208V: 0.15A, 240V: 0.13A, 277V: 0.11A

THD:

11.89% at 120V, 17.78% at 277V

Power Factor:

98.7% at 120V, 91% at 277V

Surge Protection:

6kV

Performance

Lifespan:

100,000-Hour LED lifespan based on IES LM-80 results and TM-21 calculations

Wattage Equivalency:

Equivalent to 70W Metal Halide

Optical

NEMA Type:

NEMA Beam Spread of 7H x 6V

Construction

Airflow:

Airflow technology heat sink for superior cooling

Ambient Temperature:

Suitable for use in up to 40°C (104°F)

Cold Weather Starting:

The minimum starting temperature is -40°C (-40°F)

Thermal Management Housing:

Die-cast aluminum housing, lens frame and mounting arm

Mounting:

Heavy-duty mounting arm with "O" ring seal & stainless steel screw

Reflector:

Semi-specular anodized aluminum

Gaskets:

High-temperature silicone gaskets

Finish:

Formulated for high durability and long-lasting color

Green Technology:

Mercury and UV free. RoHS-compliant components.

Other

Note:

All values are typical (tolerance +/- 10%)

Warranty:

RAB warrants that our LED products will be free from defects in materials and workmanship for a period of five (5) years from the date of delivery to the end user, including coverage of light output, color stability, driver performance and fixture finish. RAB's warranty is subject to all terms and conditions found at rablighting.com/warranty.

Technical Specifications (continued)

Patents:

The FFLED design is protected by U.S. Pat. D643,147, Canada Pat. 140798, China Pat. ZL201130171304.1, Mexico Pat. 36757 and pending patent in Taiwan.

Buy American Act Compliance:

RAB values USA manufacturing! Upon request, RAB may be able to manufacture this product to be compliant with the Buy American Act (BAA). Please contact customer service to request a quote for the product to be made BAA compliant.

LED Characteristics

LEDs:

Multi-chip, high-output, long-life LEDs

Color Consistency:

7-step MacAdam Ellipse binning to achieve consistent fixture-to-fixture color

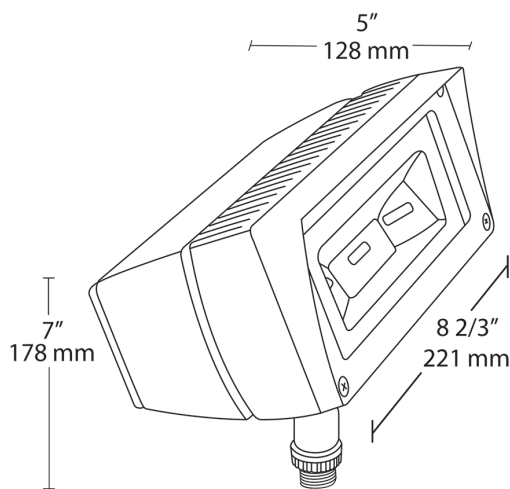
Color Stability:

LED color temperature is warranted to shift no more than 200K in color temperature over a 5-year period

Color Uniformity:

RAB's range of Correlated Color Temperature follows the guidelines of the American National Standard for (SSL) Products, ANSI C78.377-2017.

Dimensions



Features

- Ultra-efficient LED and optical design
- Replaces 70W MH floodlights
- 100,000-hour life based on LM-80 results and TM-21 calculations
- NEMA type - 7H x 6V
- "Air-Flow" technology heatsink
- 5-Year, No-Compromise Warranty

Ordering Matrix

Family	Wattage	Mounting	Color Temp	NEMA Type	Finish	Driver	Options	Other Options
FFLED	18							
	18 = 18W	Blank = Knuckle Mount	Blank = 5000K Cool N = 4000K Neutral Y = 3000K Warm	Blank = 7H x 6V	Blank = Bronze W = White	Blank = On/Off ¹ /E = 120-277V Battery Backup /EC = Cold Start Battery Backup	Blank = No Option /PCS = 120V Swivel Photocell /PCS2 = 277V Swivel Photocell /PCS4 = 480V Swivel Photocell /PCU = 120-277V Button Photocell /MS = Mini Sensor /STL3 = Stealth Sensor	Blank = Standard

¹ Dimming Driver for 18W, 26W & 39W models only

² Not available for 80W models