



White light in a compact package. Compact Fluorescent 42 Watt with quad tap electronic ballast. Operating temperature 0°F. Lamp supplied.

Color: Bronze

Weight: 5.2 lbs

Project:	Type:
Prepared By:	Date:

Lamp Info		Ballast Info	
Type	42W Triple	Type	Elec HPF QT
Watts	42W	120V	0.38A
Shape/Size	N/A	208V	N/A
Base	N/A	240V	N/A
ANSI	N/A	277V	N/A
Hours	12,000	Input Watts	46W
Lamp Lumens	3,200 lm		
Efficacy	69.6 lm/W		

Technical Specifications

Electrical

Photocell:

120V Swivel photocell included. Photocell is only compatible with 120V.

Sockets:

Porcelain with all copper current carrying components

Socket:

Glazed porcelain 4kv pulse rated with nickel plated screw shell and spring contacts

Quad Tap:

Fixture works with 120, 208, 240 and 277 Volts

Compliance

UL Listed:

Suitable for wet locations. Suitable for ground mounting.

Construction

Housing:

Precision die-cast aluminum, 1/2" NPS threaded arm with locking swivel fits all standard mounting boxes

Reflector:

Anodized semi-specular aluminum

Lens:

Thermal tempered shock resistant glass

Lens Gasket:

High-temperature tubular silicone set in die cast retaining groove remains in place during relamping

Finish:

Formulated for high durability and long-lasting color

EPA:

0.43.

Ballast Minimum Starting Temperature:

0°F

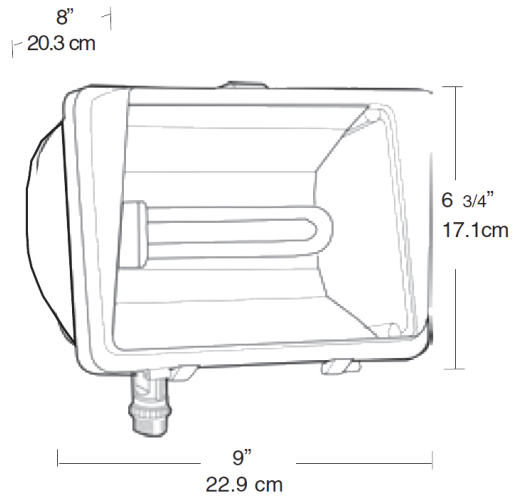
Other

Patents:

Pat. D420,458.

Buy American Act Compliance:

RAB values USA manufacturing! Upon request, RAB may be able to manufacture this product to be compliant with the Buy American Act (BAA). Please contact customer service to request a quote for the product to be made BAA compliant.

Dimensions**Features**

- Easy clip for tool-less relamping with Vandal proof screw capability
- Integra hood glare shield for friendly lighting when properly aimed
- Silicone gasket stays in place for durable weatherproofing & easy relamping
- Precision die cast aluminum housing with durable polyester powder coating
- Variable beam spread with 2 position adjustable socket
- Long life lamp included
- Mounting arm with sturdy locking teeth & internal gasket