



Project:	Type:
Prepared By:	Date:

Driver Info		LED Info	
Type	Constant Current	Watts	30W
120V	0.25A	Color Temp	3500K/4000K/5000K
208V	0.15A	Color	82-83 CRI
240V	0.13A	Accuracy	
277V	0.12A	L70 Lifespan	75,000 Hours
Input Watts	24.6-38.34W	Lumens	3,007-4,612 lm
		Efficacy	115.3-125.7 lm/W

Technical Specifications

Field Adjustability

Field Adjustable:

Field Adjustable Light Output:
1' x 4': 40W/30W/25W(factory default 30W)
Color temperature selectable by 3500K, 4000K and 5000K (factory default 4000K)

Lightcloud

Lightcloud Controller Installed:

Integrated/embedded networked lighting control, luminaire-level lighting control. Fixture, Zone, and plug-load control from one powerful device. LLLC - capable of switching, 0-10Vdimming, power/energy monitoring. Can also be used to extend the range of the Lightcloud mesh network communication protocols. Offers the capability to set the maximum light output to a less-than-maximum state of an individual luminaire at the time of installation or commissioning. The High-End trim functionality is field reconfigurable via the Lightcloud mesh network communication protocols. The Lightcloud controller can be attached to the fixture, junction box, or electrical panel.
DLC system - N1XMLOEATBA
[Learn more about Lightcloud.](#)

Compliance

UL Listed:

Suitable for damp locations

IESNA LM-79 & lm-80 Testing:

RAB LED luminaires and LED components have been tested by an independent laboratory in accordance with IESNA lm-79 and lm-80

CCEA Compliant:

Luminaire Requirements used in Environmental Air Space per the electrical code specification of the City of Chicago

IP Rating:

Ingress protection rating of IP66 for dust and water

DLC Listed:

This product is on the Design Lights Consortium (DLC) Qualified Products List and is eligible for rebates from DLC Member Utilities. Designed to meet DLC 5.1 requirements.
DLC Product Code: PEQ7BMXZ

Performance

Lifespan:

75,000-Hour LED lifespan based on IES LM-80 results and TM-21 calculations

LED Characteristics

LEDs:

Long-life, high-efficacy, surface-mount LEDs

Construction

Operating Temperature:

-30°C (-22°F) to 40°C (104°F)

Lens:

Frosted polystyrene

Mounting:

Recessed ceiling

Housing:

Lightweight aluminum housing

Finish:

Formulated for high durability and long-lasting color

Green Technology:

Mercury and UV free. RoHS-compliant components.

Other

Warranty:

RAB warrants that our LED products will be free from defects in materials and workmanship for a period of five (5) years from the date of delivery to the end user, including coverage of light output, color stability, driver performance and fixture finish. RAB's warranty is subject to all terms and conditions found at rablighting.com/warranty.

Technical Specifications (continued)

Buy American Act Compliance:

RAB values USA manufacturing! Upon request, RAB may be able to manufacture this product to be compliant with the Buy American Act (BAA). Please contact customer service to request a quote for the product to be made BAA compliant.

Electrical

Driver:

Constant Current, Class 2, 120-277V, 50/60 Hz, 120V:
0.25A, 208V: 0.15A, 240V: 0.13A, 277V: 0.12A

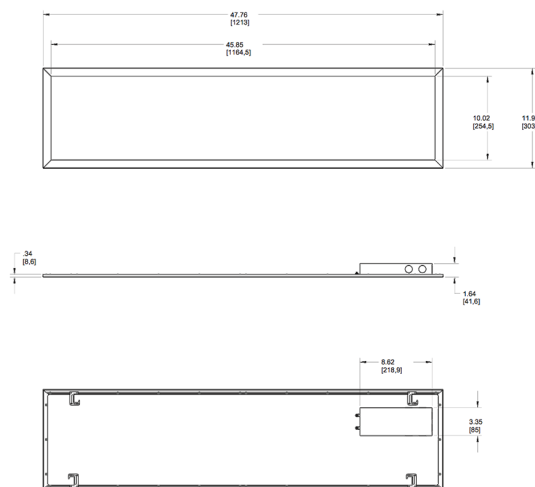
THD:

6.37% at 120V, 6.63% at 277V

Power Factor:

99.6% at 120V, 93.8% at 277V

Dimensions



Features

- Field-adjustable light output (3 discrete steps)
- White tunable (3 discrete color temperatures)
- Can be changed before, during or after installation
- 75,000-Hour LED lifespan

Ordering Matrix

Family	Size	Voltage	Options
EZPANFA	1X4	/D10	/LC
	1X4 = 1' x 4' 2X2 = 2' x 2' 2X4 = 2' x 4'	/D10 = 0-10V Dimming	Blank = No Option /LC = Lightcloud® Controller /LCS = Lightcloud® Sensor /E2 = Battery Backup