



## Technical Specifications (continued)

### Housing:

Lightweight aluminum housing, steel pan and junction box

### Installation:

Standard integral T-bar clips secure the fixture to T-bars and prevent T-system separation

### Finish:

Formulated for high durability and long-lasting color

### Green Technology:

Mercury and UV free. RoHS-compliant components.

## Lightcloud

### Lightcloud Blue Sensor Installed:

Occupancy, vacancy, and closed loop daylight harvesting in one versatile sensor. In addition control any fixture in your Lightcloud Blue integrated/embedded networked lighting luminaire-level control system. LLLC - capable of switching, 0-10V dimming, power/energy monitoring. Can also be used to extend the range of the Lightcloud Blue utilizing a "BLE Mesh" network communication protocols. The Lightcloud Blue sensor can be attached to the fixture provided an unobstructed view of the coverage area is available.

DLC system - N1XMLOEATBA

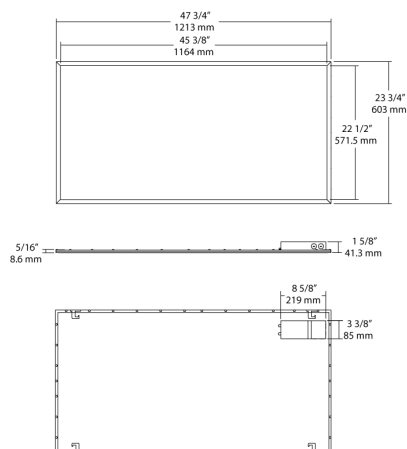
[Learn more about Lightcloud.](#)

## LED Characteristics

### LEDs:

Long-life, high-efficacy, surface-mount LEDs

## Dimensions



## Features

Direct Connect to the Lightcloud Blue mobile app via Bluetooth, no Gateway or Hub required

Use mobile device to configure features for On/Off Control, Dim Level, Schedules, Scenes, and more.

Meets Luminaire Level Lighting Control (LLLC) requirements

Integrated passive infrared or microwave sensor for added savings

Use mobile device to configure sensor settings for sensitivity, timeout and actions.

Includes emergency battery backup

## Ordering Matrix

Family	Size	Wattage	Color Temp	Dimming (standard)	Control Options	Other Options	
EZPAN	2X4	-	40	Y	/D10	/LCBS	/E2
	<b>2X4</b> = 2' x 4' <b>2X2</b> = 2' x 2' <b>1X4</b> = 1' x 4'	<b>17</b> = 17W <b>30</b> = 30W <b>40</b> = 40W <b>50</b> = 50W	<b>Blank</b> = 5000K Cool <b>N</b> = 4000K Neutral <b>YN</b> = 3500K Warm Neutral <b>Y</b> = 3000K Warm	<b>/D10</b> = 0-10V Dimming	<b>Blank</b> = No Option <b>/LC</b> = Lightcloud® Controller <b>/LCB</b> = Lightcloud® Blue Enabled <b>/LCBS</b> = Lightcloud® Blue Enabled w/ PIR Sensor <b>/LCBS/MVS</b> = Lightcloud® Blue Enabled w/ MVS Sensor	<b>Blank</b> = None <b>/E2</b> = Battery Backup	