

Technical Specifications (continued)

Power Factor:

99.3% at 120V, 96.1% at 277V

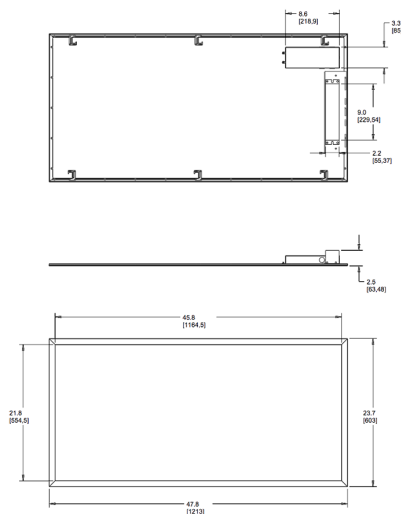
Battery Backup:

Battery backup will operate the fixture for 90 minutes if power fails. Wired for 120-277V.

Battery Backup Light Loss Factor:

0.43

Dimensions



Features

Perfect for shallow plenums

Even and diffuse ambient illumination, ideal for spaces where glare-free lighting is required

0-10V dimmable driver, standard

Ordering Matrix

| Family | Size | Wattage | Color Temp | Dimming (standard) | Control Options | Other Options |
|--------|---------------|----------|-------------------------|----------------------|------------------------------|----------------------|
| EZPAN | 2X4 | 30 | Y | /D10 | | /E2 |
| | 2X4 = 2' x 4' | 17 = 17W | Blank = 5000K Cool | /D10 = 0-10V Dimming | Blank = No Option | Blank = None |
| | 2X2 = 2' x 2' | 30 = 30W | N = 4000K Neutral | | /LC = Lightcloud® Controller | /E2 = Battery Backup |
| | 1X4 = 1' x 4' | 40 = 40W | YN = 3500K Warm Neutral | | | |
| | | 50 = 50W | Y = 3000K Warm | | | |