



| | |
|---------------------|--------------|
| Project: | Type: |
| Prepared By: | Date: |

| Driver Info | | LED Info | |
|-------------|------------------|----------------|----------------------|
| Type | Constant Current | Watts | 40W |
| 120V | 0.34A | Color Temp | 3500K (Warm Neutral) |
| 208V | 0.20A | Color Accuracy | 83 CRI |
| 240V | 0.17A | L70 Lifespan | 60,000 Hours |
| 277V | 0.15A | Lumens | 4,691 lm |
| Input Watts | 39.6W | Efficacy | 118.3 |

Technical Specifications

Compliance

UL Listed:

Suitable for damp locations

CCEA Compliant:

Luminaire Requirements used in Environmental Air Space per the electrical code specification of the City of Chicago

Trade Agreements Act Compliant:

This product is a product of Cambodia and a "designated country" end product that complies with the Trade Agreements Act

DLC Listed:

This product is on the Design Lights Consortium (DLC) Qualified Products List and is eligible for rebates from DLC Member Utilities. Designed to meet DLC 5.1 requirements.
DLC Product Code: PXL2WSUJ

Other

Note:

All values are typical (tolerance +/- 10%)

Warranty:

RAB warrants that our LED products will be free from defects in materials and workmanship for a period of five (5) years from the date of delivery to the end user, including coverage of light output, color stability, driver performance and fixture finish. RAB's warranty is subject to all terms and conditions found at rablighting.com/warranty.

Buy American Act Compliance:

RAB values USA manufacturing! Upon request, RAB may be able to manufacture this product to be compliant with the Buy American Act (BAA). Please contact customer service to request a quote for the product to be made BAA compliant.

Performance

Lifespan:

60,000-Hour LED lifespan based on IES LM-80 results and TM-21 calculations

Wattage Equivalency:

Equivalent to (4)F32T8 or (4)F28T5

Construction

Maximum Ambient Temperature:

Suitable for use in up to -30°C (-22°F) to 50°C(122°F)

IC Rated:

Suitable for insulated ceilings

Lens:

Frosted polystyrene

Mounting:

Recessed ceiling

Housing:

Lightweight aluminum housing, steel pan and junction box

Installation:

Standard integral T-bar clips secure the fixture to T-bars and prevent T-system separation

Finish:

Formulated for high durability and long-lasting color

Green Technology:

Mercury and UV free. RoHS-compliant components.

Technical Specifications (continued)

Lightcloud

Lightcloud Blue Sensor Installed:

Occupancy, vacancy, and closed loop daylight harvesting in one versatile sensor. In addition control any fixture in your Lightcloud Blue integrated/embedded networked lighting luminaire-level control system. LLLC - capable of switching, 0-10V dimming, power/energy monitoring. Can also be used to extend the range of the Lightcloud Blue utilizing a "BLE Mesh" network communication protocols. The Lightcloud Blue sensor can be attached to the fixture provided an unobstructed view of the coverage area is available.

DLC system - N1XMLOEATBA

[Learn more about Lightcloud.](#)

LED Characteristics

LEDs:

Long-life, high-efficacy, surface-mount LEDs

Electrical

Driver:

Constant Current, Class 2, 50/60 Hz, 120-277V, 120V: 0.34A, 208V: 0.20A, 240V: 0.17A, 277V: 0.15A

THD:

8.42% at 120V, 6.23% at 277V

Power Factor:

99.1% at 120V, 94.5% at 277V

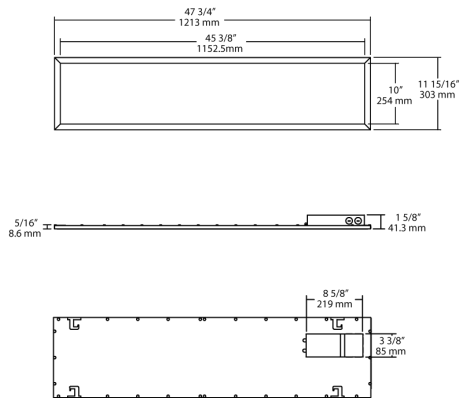
Battery Backup:

Battery backup will operate the fixture for 90 minutes if power fails. Wired for 120-277V.

Battery Backup Light Loss Factor:

0.33

Dimensions



Features

- Direct Connect to the Lightcloud Blue mobile app via Bluetooth, no Gateway or Hub required
- Use mobile device to configure features for On/Off Control, Dim Level, Schedules, Scenes, and more.
- Meets Luminaire Level Lighting Control (LLLC) requirements
- Integrated passive infrared or microwave sensor for added savings
- Use mobile device to configure sensor settings for sensitivity, timeout and actions.
- Includes emergency battery backup

Ordering Matrix

| Family | Size | Wattage | Color Temp | Dimming (standard) | Control Options | Other Options | |
|--------|---------------|----------|--------------------|----------------------|--|----------------------|-----|
| EZPAN | 1X4 | - | 40 | YN | /D10 | /LCBS | /E2 |
| | 2X4 = 2' x 4' | 17 = 17W | Blank = 5000K Cool | /D10 = 0-10V Dimming | Blank = No Sensor | Blank = None | |
| | 2X2 = 2' x 2' | 30 = 30W | N = 4000K Neutral | | /LC = Lightcloud® Controller | /E2 = Battery Backup | |
| | 1X4 = 1' x 4' | 40 = 40W | YN = 3500K Warm | | /LCB = Lightcloud® Blue Enabled | | |
| | | 50 = 50W | Neutral | | /LCBS = Lightcloud® Blue Enabled w/ PIR | | |
| | | | Y = 3000K Warm | | Sensor | | |
| | | | | | /LCBS/MVS = Lightcloud® Blue Enabled w/ MVS Sensor | | |