



1' x 4' EZPAN edgelit LED panel lights provide smooth and uniform light edge-to-edge for a clean, modern look. Install in drop ceilings or use optional surface, pendant or recessed (dry wall) mounting kits.

Color: White

Weight: 7.6 lbs

**Project:**

**Type:**

**Prepared By:**

**Date:**

#### Driver Info

Type	Constant Current
120V	0.25A
208V	0.20A
240V	0.13A
277V	0.12A
Input Watts 31.1W	

#### LED Info

Watts	30W
Color Temp	5000K (Cool)
Color Accuracy	85 CRI
L70 Lifespan	60,000 Hours
Lumens	3,705 lm
Efficacy	119.2

## Technical Specifications

### Compliance

#### UL Listed:

Suitable for damp locations

#### CCEA Compliant:

Luminaire Requirements used in Environmental Air Space per the electrical code specification of the City of Chicago

#### Trade Agreements Act Compliant:

This product is a product of Cambodia and a "designated country" end product that complies with the Trade Agreements Act

#### DLC Listed:

This product is on the Design Lights Consortium (DLC) Qualified Products List and is eligible for rebates from DLC Member Utilities. Designed to meet DLC 5.1 requirements.  
DLC Product Code: PYLIHS2S

### Other

#### Note:

All values are typical (tolerance +/- 10%)

### Warranty:

RAB warrants that our LED products will be free from defects in materials and workmanship for a period of five (5) years from the date of delivery to the end user, including coverage of light output, color stability, driver performance and fixture finish. RAB's warranty is subject to all terms and conditions found at [rablighting.com/warranty](http://rablighting.com/warranty).

### Buy American Act Compliance:

RAB values USA manufacturing! Upon request, RAB may be able to manufacture this product to be compliant with the Buy American Act (BAA). Please contact customer service to request a quote for the product to be made BAA compliant.

### Performance

#### Lifespan:

60,000-Hour LED lifespan based on IES LM-80 results and TM-21 calculations

#### Wattage Equivalency:

Equivalent to (4)F32T8 or (4)F28T5

### Construction

#### Maximum Ambient Temperature:

Suitable for use in up to -30°C (-22°F) to 50°C(122°F)

#### IC Rated:

Suitable for insulated ceilings

### Lens:

Frosted polystyrene

### Mounting:

Recessed ceiling

### Housing:

Lightweight aluminum housing, steel pan and junction box

### Installation:

Standard integral T-bar clips secure the fixture to T-bars and prevent T-system separation

### Finish:

Formulated for high durability and long-lasting color

### Green Technology:

Mercury and UV free. RoHS-compliant components.

## Technical Specifications (continued)

### Lightcloud

#### Lightcloud Blue Installed:

Integrated/embedded networked lighting control, luminaire-level lighting control. Fixture, Zone, and plug-load control from one powerful device. LLLC - capable of switching, 0-10V dimming, power/energy monitoring. Can also be used to extend the range of the Lightcloud Blue utilizes a "BLE Mesh" network communication protocols. Offers the capability to set the maximum light output to a less-than-maximum state of an individual luminaire at the time of installation or commissioning. The High-End trim functionality is field reconfigurable via the Lightcloud "BLE Mesh" network communication protocols. The Lightcloud Blue controller is designed to be attached to the fixture directly.

DLC system - N1XMLOEATBA

[Learn more about Lightcloud.](#)

### LED Characteristics

#### LEDs:

Long-life, high-efficacy, surface-mount LEDs

### Electrical

#### Driver:

Constant Current, Class 2, 50/60 Hz, 120-277V, 120V: 0.25A, 208V: 0.20A, 240V: 0.13A, 277V: 0.12A

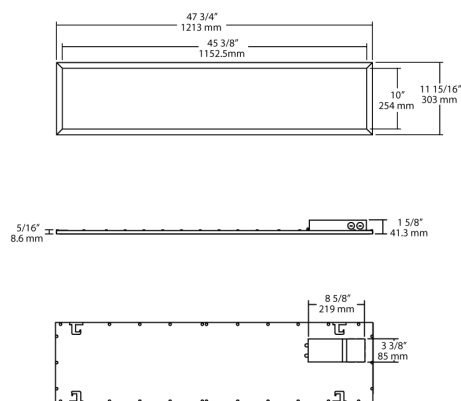
#### THD:

7.76% at 120V, 9.61% at 277V

#### Power Factor:

98.9% at 120V, 90.8% at 277V

## Dimensions



## Features

Direct Connect to the Lightcloud Blue mobile app via Bluetooth, no Gateway or Hub required

Use mobile device to configure features for On/Off Control, Dim Level, Schedules, Scenes, and more.

Meets Luminaire Level Lighting Control (LLLC) requirements

Integrated passive infrared or microwave sensor for added savings

Use mobile device to configure sensor settings for sensitivity, timeout and actions.

Emergency battery backup options available

## Ordering Matrix

Family	Size	Wattage	Color Temp	Dimming (standard)	Control Options	Other Options
EZPAN	1X4	30		/D10	/LCB	
	<b>2X4</b> = 2' x 4' <b>2X2</b> = 2' x 2' <b>1X4</b> = 1' x 4'	<b>17</b> = 17W <b>30</b> = 30W <b>40</b> = 40W <b>50</b> = 50W	<b>Blank</b> = 5000K Cool <b>N</b> = 4000K Neutral <b>YN</b> = 3500K Warm Neutral <b>Y</b> = 3000K Warm	<b>/D10</b> = 0-10V Dimming	<b>Blank</b> = No Sensor <b>/LC</b> = Lightcloud® Controller <b>/LCB</b> = Lightcloud® Blue Enabled <b>/LCBS</b> = Lightcloud® Blue Enabled w/ PIR Sensor <b>/LCBS/MVS</b> = Lightcloud® Blue Enabled w/ MVS Sensor	<b>Blank</b> = None <b>/E2</b> = Battery Backup