



1' x 4' EZPAN edgelit LED panel lights with emergency battery Backup that will operate the LED Lamp for 90 minutes if power fails. Install in drop ceilings or use optional surface, pendant or recessed (dry wall) mounting kits.

Color: White

Weight: 10.6 lbs

Project:

Type:

Prepared By:

Date:

Driver Info

Type	Constant Current
120V	0.20A
208V	0.10A
240V	0.10A
277V	0.10A
Input Watts	20W

LED Info

Watts	17W
Color Temp	5000K (Cool)
Color Accuracy	85 CRI
L70 Lifespan	60,000 Hours
Lumens	2,327 lm
Efficacy	116.6

Technical Specifications

Compliance

UL Listed:

Suitable for damp locations

CCEA Compliant:

Luminaire Requirements used in Environmental Air Space per the electrical code specification of the City of Chicago

DLC Listed:

This product is on the Design Lights Consortium (DLC) Qualified Products List and is eligible for rebates from DLC Member Utilities. Designed to meet DLC 5.1 requirements.
DLC Product Code: P4XHXBC2

Other

Note:

All values are typical (tolerance +/- 10%)

Warranty:

RAB warrants that our LED products will be free from defects in materials and workmanship for a period of five (5) years from the date of delivery to the end user, including coverage of light output, color stability, driver performance and fixture finish. RAB's warranty is subject to all terms and conditions found at rablighting.com/warranty.

Buy American Act Compliance:

RAB values USA manufacturing! Upon request, RAB may be able to manufacture this product to be compliant with the Buy American Act (BAA). Please contact customer service to request a quote for the product to be made BAA compliant.

Performance

Lifespan:

60,000-Hour LED lifespan based on IES LM-80 results and TM-21 calculations

Wattage Equivalency:

Equivalent to (4)F32T8 or (4)F28T5

Construction

Maximum Ambient Temperature:

Suitable for use in up to -30°C (-22°F) to 50°C(122°F)

IC Rated:

Suitable for insulated ceilings

Lens:

Frosted polystyrene

Mounting:

Recessed ceiling

Housing:

Lightweight aluminum housing, steel pan and junction box

Installation:

Standard integral T-bar clips secure the fixture to T-bars and prevent T-system separation

Finish:

Formulated for high durability and long-lasting color

Green Technology:

Mercury and UV free. RoHS-compliant components.

LED Characteristics

LEDs:

Long-life, high-efficacy, surface-mount LEDs

Electrical

Driver:

Constant Current, Class 2, 50/60 Hz, 120-277V, 120V: 0.20A, 208V: 0.10A, 240V: 0.10A, 277V: 0.10A

THD:

8.77% at 120V, 5.71% at 277V

Power Factor:

98.8% at 120V, 89.3% at 277V

Technical Specifications (continued)

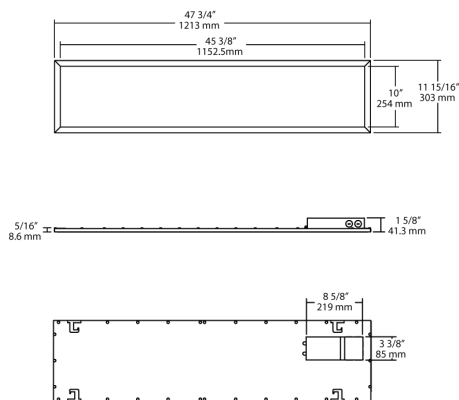
Battery Backup:

Battery backup will operate the fixture for 90 minutes if power fails. Wired for 120-277V.

Battery Backup Light Loss Factor:

0.75

Dimensions



Features

Direct Connect to the Lightcloud Blue mobile app via Bluetooth, no Gateway or Hub required

Use mobile device to configure features for On/Off Control, Dim Level, Schedules, Scenes, and more.

Meets Luminaire Level Lighting Control (LLC) requirements

Integrated passive infrared or microwave sensor for added savings

Use mobile device to configure sensor settings for sensitivity, timeout and actions.

Includes emergency battery backup

Ordering Matrix

Family	Size	Wattage	Color Temp	Dimming (standard)	Control Options	Other Options	
EZPAN	1X4	–	17		/D10	/LCB	/E2
	2X4 = 2' x 4'	17 = 17W	Blank = 5000K Cool	/D10 = 0-10V Dimming	Blank = No Sensor	Blank = None	
	2X2 = 2' x 2'	30 = 30W	N = 4000K Neutral		/LC = Lightcloud® Controller	/E2 = Battery Backup	
	1X4 = 1' x 4'	40 = 40W	YN = 3500K Warm Neutral		/LCB = Lightcloud® Blue Enabled		
		50 = 50W	Y = 3000K Warm		/LCBS = Lightcloud® Blue Enabled w/ PIR Sensor		
					/LCBS/MVS = Lightcloud® Blue Enabled w/ MVS Sensor		