



This 78W spotlight combines high lumen output and a concentrated narrow beam distribution to illuminate objects up to 80 feet away with brilliant precision. Ideal for lighting large flags, tall building façades and signage.

Color: Bronze

Weight: 25.6 lbs

Project:	Type:
Prepared By:	Date:

Driver Info		LED Info	
Type	Constant Current	Watts	78W
120V	0.82A	Color Temp	4000K (Neutral)
208V	N/A	Color Accuracy	82 CRI
240V	N/A	L70 Lifespan	100,000 Hours
277V	N/A	Lumens	9,143 lm
Input Watts	90W	Efficacy	101.6 lm/W

Technical Specifications

Electrical

Driver:

3x26W drivers Constant current, Class2, 100-277V. 50/60 Hz, 6KV Surge Protection, 720mA, 100-277V 0.4A, Power Factor 99%.

Photocell:

120V Swivel photocell included. Photocell is only compatible with 120V.

Compliance

UL Listed:

Suitable for wet locations. Suitable for ground mounting.

Construction

Effective Projected Area:

EPA = 1.2

Cold Weather Starting:

The minimum starting temperature is -40°C (-40°F)

Maximum Ambient Temperature:

Suitable for use in up to 40°C (104°F)

Thermal Management:

Superior thermal management with external "Air-Flow" fins

Housing:

Precision die-cast aluminum housing and door frame

Mounting:

Trunnion mount with cord (18-3AWG ST00W 600V 105° wet location rated 3 ft).

Lens:

Tempered glass

Reflector:

Vacuum-metalized, specular thermoplastic

Gaskets:

High-temperature silicone

Finish:

Formulated for high durability and long-lasting color

Green Technology:

Mercury and UV free. RoHS-compliant components.

Other

Note:

All values are typical (tolerance +/- 10%)

Warranty:

RAB warrants that our LED products will be free from defects in materials and workmanship for a period of five (5) years from the date of delivery to the end user, including coverage of light output, color stability, driver performance and fixture finish. RAB's warranty is subject to all terms and conditions found at rablighting.com/warranty.

Patents:

The design of EZLED is protected by patents in U.S. Pat D679,856, and pending patents in Canada, China, Taiwan and Mexico.

Buy American Act Compliance:

RAB values USA manufacturing! Upon request, RAB may be able to manufacture this product to be compliant with the Buy American Act (BAA). Please contact customer service to request a quote for the product to be made BAA compliant.

LED Characteristics

LEDs:

Three multi-chip, high-output, long-life LEDs

Color Consistency:

3-step MacAdam Ellipse binning to achieve consistent fixture-to-fixture color

Technical Specifications (continued)

Color Stability:

LED color temperature is warranted to shift no more than 200K in color temperature over a 5-year period

Color Uniformity:

RAB's range of Correlated Color Temperature follows the guidelines of the American National Standard for Specifications for the Chromaticity of Solid State Lighting (SSL) Products, ANSI C78.377-2017.

Performance

Lifespan:

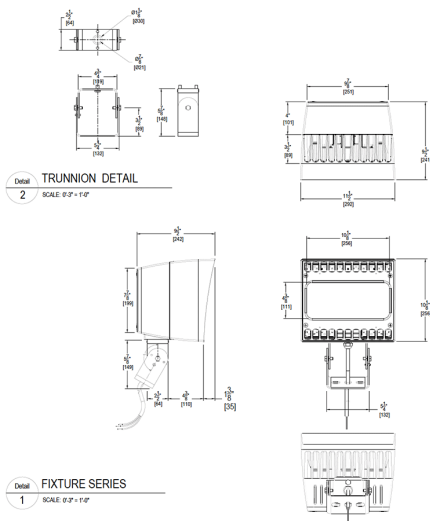
100,000-Hour LED lifespan based on IES LM-80 results and TM-21 calculations

Optical

NEMA Type:

NEMA Beam Spread of 3H x 3V

Dimensions



Features

- High powered narrow beam spotlight
- Illuminates objects at a distance of 80 feet
- Available in NEMA type 3H x 3V and 4H x 4V
- Trunnion or slipfitter mounting options available
- Outperforms equivalent MH fixtures

Ordering Matrix

Family	Wattage	Mounting	Color Temp	Distribution	Finish	Voltage	Dimming	Control Options
EZLED	78	T	N					/PCS
	78 = 78W	SF = Slipfitter T = Trunnion	Blank = 5000K Cool N = 4000K Neutral Y = 3000K Warm	Blank = NEMA 3H x 3V B44 = NEMA 4H x 4V	Blank = Bronze W = White	Blank = 120-277V	Blank = None (Standard) /D10 = 0-10V Dimming /BL = Bi-Level	Blank = No Option /PC = 120V Button Photocell /PC2 = 277V Button Photocell /PCS = 120V Swivel Photocell /PCS2 = 277V Swivel Photocell /PCT = 120-277V Twistlock Photocell