



## Technical Specifications (continued)

### Color Stability:

LED color temperature is warranted to shift no more than 200K in color temperature over a 5-year period

### Color Uniformity:

RAB's range of Correlated Color Temperature follows the guidelines of the American National Standard for Specifications for the Chromaticity of Solid State Lighting (SSL) Products, ANSI C78.377-2017.

## Performance

### Lifespan:

100,000-Hour LED lifespan based on IES LM-80 results and TM-21 calculations

## Optical

### NEMA Type:

NEMA Beam Spread of 3H x 3V

## Electrical

### Driver:

Constant current, Class2, 100-277V. 50/60 Hz, 6kV Surge Protection, 120-277V, 120V: 0.67A, 208V: 0.38A, 240V: 0.33A, 277V: 0.31A

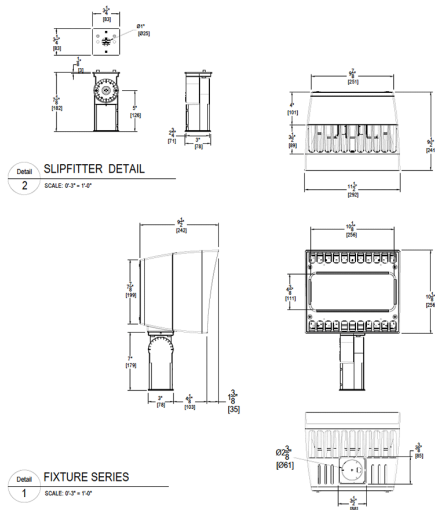
### THD:

2.68% at 120V, 8.39% at 277V

### Power Factor:

99.8% at 120V, 92.8% at 277V

## Dimensions



## Features

- High powered narrow beam spotlight
- Illuminates objects at a distance of 80 feet
- Available in NEMA type 3H x 3V and 4H x 4V
- Trunnion or slipfitter mounting options available
- Outperforms equivalent MH fixtures

Ordering Matrix

Family	Wattage	Mounting	Color Temp	Distribution	Finish	Voltage	Dimming	Control Options
EZLED	78	SF			W		/BL	
	78 = 78W	SF = Slipfitter T = Trunnion	Blank = 5000K Cool N = 4000K Neutral Y = 3000K Warm	Blank = NEMA 3H x 3V B44 = NEMA 4H x 4V	Blank = Bronze W = White	Blank = 120-277V	Blank = None (Standard) /D10 = 0-10V Dimming /BL = Bi-Level	Blank = No Option /PC = 120V Button Photocell /PC2 = 277V Button Photocell /PCS = 120V Swivel Photocell /PCS2 = 277V Swivel Photocell /PCT = 120-277V Twistlock Photocell