



Explosionproof junction box for wiring with cover tap it allows pendant fixture hanging.

Color: Silver gray

Weight: 2.9 lbs

| | |
|--------------|-------|
| Project: | Type: |
| Prepared By: | Date: |

Technical Specifications

Construction

Box Construction:

Heavy wall castings. Precision machined surfaces.
Four 1/4-20 screws fasten top to box.

Box Capacity:

20 cubic inches

Finish:

Polyester powder coating

Hub Size:

3/4" side hubs, 8 hole position

Cover Tap:

1/2"

Electrical

Close-up Plugs:

Aluminum slotted plugs with 6 full threads. One provided for each box hole.

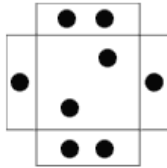
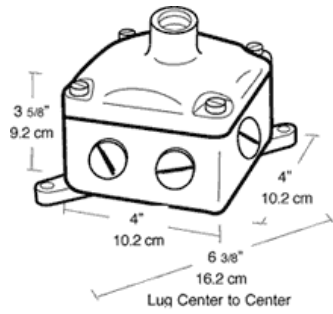
Other

Buy American Act Compliance:

RAB values USA manufacturing! Upon request, RAB may be able to manufacture this product to be compliant with the Buy American Act (BAA). Please contact customer service to request a quote for the product to be made BAA compliant.



Dimensions



Features

- Accessory reflectors and exit signs available
- Cast aluminum junction box also serves as a hanger box for pendant fixtures
- Heavy gauge die formed aluminum
- Reflectors with white polyester powder finish