

<b>Project:</b>	<b>Type:</b>
<b>Prepared By:</b>	<b>Date:</b>

## Technical Specifications

### Performance

**Product Type:**

Chicago-Approved Edge-Lit Exit Sign

**Description:**

Chicago-approved edge-lit exit sign with a double face, red letters, and 90 minutes of emergency battery backup.

**Input Wattage:**

4.5W @120V; 4.9W @277V

### Electrical

**Power Factor:**

≥0.9

**Input Voltage:**

Dual 120/277 Voltage

**Operating Frequency (Hz):**

60Hz

**Input Current @ 120V (mA):**

42mA

**Input Current @ 277V (mA):**

20mA

**Dual Voltage Circuit Operation:**

No

**Operating Temperature:**

32°F to 122°F (0°C to 50°C)

**Emergency Illumination:**

120 minutes

**Battery Backup:**

Yes

**Battery Type:**

Nickel Cadmium

**Battery Voltage:**

4.8V

**Recharge Time Required:**

24-hours

**Battery Operating Temperature:**

32°C to 122°C (0°F to 50°F)

**Storage Temperature:**

68°F to 86°F (20°C to 30°C)

**Storage Shelf Life:**

3 years before the initial charge. 5 years after initial charge.

**Self Diagnostics:**

No, manual test only

**Remote Test Switch:**

No

### Installation

**Mounting Method:**

Back/Top/End

**Mounting Type:**

Wall/Ceiling Mount

**Cold Weather Rated:**

No

### Construction

**Shape:**

Rectangle

**Housing Material:**

Aluminum

**Panel Material:**

Acrylic

**Panel Color:**

White

**Letter Color:**

Red

**Housing Color:**

White

**Technical Specifications (continued)****Number of Faces:**

Double Face

**Arrow Direction:**

Left/Right Arrow

**Arrow Material:**

Screen Print

**Sign Format:**

Edge-lit

**Remote Capacity:**

No

**Compliance****Listings:**UL924 Listed, NFPA 101 (current Life Safety Code),  
NEC and OSHA illumination standards**Environment:**Suitable for indoor use in dry and damp  
environments**IP Rating:**

Indoor

**Certification Model Number:**

CAELXTEU2RWWEM-LARA

**T20 Compliant:**Can be used to conform with the requirements of  
California Title 20**California Title 24 JA8 Compliant:**

Not applicable

**California Energy Commission (CEC) Status:**

Lawful for Sales in California

**City Compliance:**

Chicago Approved

**FCC:**

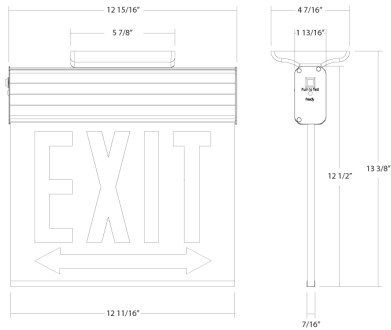
Complies with Part 15 of the FCC Rules

**Other****Warranty:**RAB warrants that our LED products will be free from  
defects in materials and workmanship for a period of  
five (5) years from the date of delivery to the end  
user, including coverage of light output, color  
stability, driver performance and fixture finish. RAB's  
warranty is subject to all terms and conditions found  
at [rablighting.com/warranty](http://rablighting.com/warranty).

Battery is prorated.

**Buy American Act Compliance:**RAB values USA manufacturing! Upon request, RAB  
may be able to manufacture this product to be  
compliant with the Buy American Act (BAA). Please  
contact customer service to request a quote for the  
product to be made BAA compliant.

## Dimensions



## Features

- Double-face panel with red letters
- Modern edge-lit design
- Approved for use in the city of Chicago
- Compliant with California Title 20

## Ordering Matrix

Family	Mounting	Face	Exit Sign Letter Color	Panel	Housing	Arrows	Self Testing	State	Battery Backup
EXITEDGE				WP	W	LRA		CH	/E
	<b>RE</b> = Recessed Ceiling Mount <b>Blank</b> = Wall/Ceiling Surface Mount	<b>Blank</b> = Universal Faces <b>1</b> = 1 Face	<b>Blank</b> = Red <b>G</b> = Green	<b>Blank</b> = Clear Panel <b>MP</b> = Mirror Panel <b>WP</b> = White Panel	<b>Blank</b> = Aluminum Housing <b>W</b> = White Housing	<b>Blank</b> = No Arrow <b>LRA</b> = Left/Right Arrow <b>RA</b> = Right Arrow <b>LA</b> = Left Arrow <b>DA</b> = Double Arrow	<b>Blank</b> = No Self Testing <b>S</b> = Self Testing	<b>Blank</b> = Standard <b>CH</b> = Chicago <b>NY</b> = New York	<b>Blank</b> = No Battery Backup <b>/E</b> = Battery Backup