



Project:	Type:
Prepared By:	Date:

Technical Specifications

Performance

Product Type:

Chicago-Approved Edge-Lit Exit Sign

Description:

Chicago-approved ultra-economy edge-lit exit sign with a double face and red letters.

Input Wattage:

4.3W @120V; 4.7W @277V

Electrical

Power Factor:

≥0.9

Input Voltage:

Dual 120/277 Voltage

Operating Frequency (Hz):

60Hz

Input Current @ 120V (mA):

40mA

Input Current @ 277V (mA):

20mA

Dual Voltage Circuit Operation:

No

Operating Temperature:

32°F to 122°F (0°C to 50°C)

Battery Backup:

No, AC only

Battery Operating Temperature:

32°C to 122°C (0°F to 50°F)

Storage Temperature:

68°F to 86°F (20°C to 30°C)

Self Diagnostics:

No, manual test only

Remote Test Switch:

No

Installation

Mounting Method:

Back/Top/End

Mounting Type:

Wall/Ceiling Mount

Cold Weather Rated:

No

Construction

Shape:

Rectangle

Housing Material:

Aluminum

Panel Material:

Acrylic

Panel Color:

White

Letter Color:

Red

Housing Color:

White

Number of Faces:

Double Face

Arrow Direction:

Double Arrow

Arrow Material:

Screen Print

Sign Format:

Edge-lit

Remote Capacity:

No

Technical Specifications (continued)

Compliance

Listings:

UL924 Listed, NFPA 101 (current Life Safety Code),
NEC and OSHA illumination standards

Environment:

Suitable for indoor use in dry and damp
environments

IP Rating:

Indoor

Certification Model Number:

CAELXTEU2RWW-DA

T20 Compliant:

Can be used to conform with the requirements of
California Title 20

California Title 24 JAB Compliant:

Not applicable

California Energy Commission (CEC) Status:

Lawful for Sales in California

City Compliance:

Chicago Approved

FCC:

Complies with Part 15 of the FCC Rules

Other

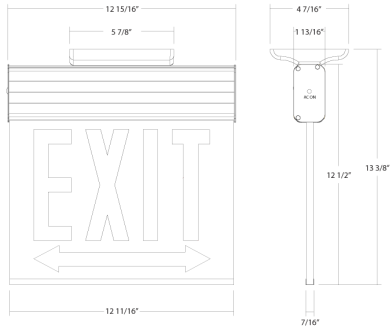
Warranty:

RAB warrants that our LED products will be free from
defects in materials and workmanship for a period of
five (5) years from the date of delivery to the end
user, including coverage of light output, color
stability, driver performance and fixture finish. RAB's
warranty is subject to all terms and conditions found
at rablighting.com/warranty.

Buy American Act Compliance:

RAB values USA manufacturing! Upon request, RAB
may be able to manufacture this product to be
compliant with the Buy American Act (BAA). Please
contact customer service to request a quote for the
product to be made BAA compliant.

Dimensions



Features

- Double-face panel with red letters
- Modern edge-lit design
- Approved for use in the city of Chicago
- Compliant with California Title 20

Ordering Matrix

Family	Mounting	Face	Exit Sign Letter Color	Panel	Housing	Arrows	Self Testing	State	Battery Backup
EXITEDGE				WP	W	DA		CH	
	RE = Recessed Ceiling Mount Blank = Wall/Ceiling Surface Mount	Blank = Universal Faces 1 = 1 Face	Blank = Red G = Green	Blank = Clear Panel MP = Mirror Panel WP = White Panel	Blank = Aluminum Housing W = White Housing	Blank = No Arrow LRA = Left/Right Arrow RA = Right Arrow LA = Left Arrow DA = Double Arrow	Blank = No Self Testing S = Self Testing	Blank = Standard CH = Chicago NY = New York	Blank = No Battery Backup /E = Battery Backup