



Color: White

Weight: 4.0 lbs

Project:	Type:
Prepared By:	Date:

Technical Specifications

Performance

Product Type:

Chicago Approved Edge-lit Exit/Stair Sign

Description:

Chicago Approved edge-lit exit sign with a double face and red letters. 90-minutes of emergency battery backup.

Input Wattage:

4.5W @120V; 4.9W @277V

Electrical

Power Factor:

≥0.9

Input Voltage:

Dual 120/277Vage

Operating Frequency:

60Hz

Input Current @ 120V (mA):

42mA

Input Current @ 277V (mA):

20mA

Operating Temperature:

32°F to 122°F (0°C to 50°C)

Emergency Illumination:

90 minutes

Battery Backup:

Battery Backup

Battery Type:

Nickel Cadmium

Battery Voltage:

4.8V

Recharge Time Required:

24-hours

Storage Temperature:

68°F to 86°F (20°C to 30°C)

Storage Shelf Life:

3 years before the initial charge. 5 years after initial charge.

Self Diagnostics:

Manual Test

Installation

Mounting Method:

Back/Top/End

Mounting Type:

Wall/Ceiling Mount

Cold Weather Rated:

No

Construction

Shape:

Rectangle

Housing Material:

Aluminum

Panel Material:

Acrylic

Panel Color:

White

Letter Color:

Red

Housing Finish:

Aluminum

Number of Faces:

Double Face

Arrow Direction:

Double Arrow

Sign Format:

Edge-lit

Technical Specifications (continued)

Remote Capacity:

No Remote Capacity

Compliance

Listings:

UL924 Listed, NFPA 101 (current Life Safety Code),
NEC and OSHA illumination standards

Environment:

Suitable for indoor use in dry and damp
environments

IP Rating:

Indoor

Model Number for Certification:

CAELXTEU2RWAEM-DA

T20 Compliant:

Can be used to conform with the requirements of
California Title 20

California Title 24 JA8 Compliant:

Not applicable

California Energy Commission (CEC) Status:

Lawful for Sales in California

City Compliance:

Chicago Approved

FCC:

Complies with Part 15B of the FCC Rules

Other

Warranty:

RAB warrants that our LED products will be free from
defects in materials and workmanship for a period of
five (5) years from the date of delivery to the end
user, including coverage of light output, color
stability, driver performance and fixture finish. RAB's
warranty is subject to all terms and conditions found
at rablighting.com/warranty.
Battery is prorated.

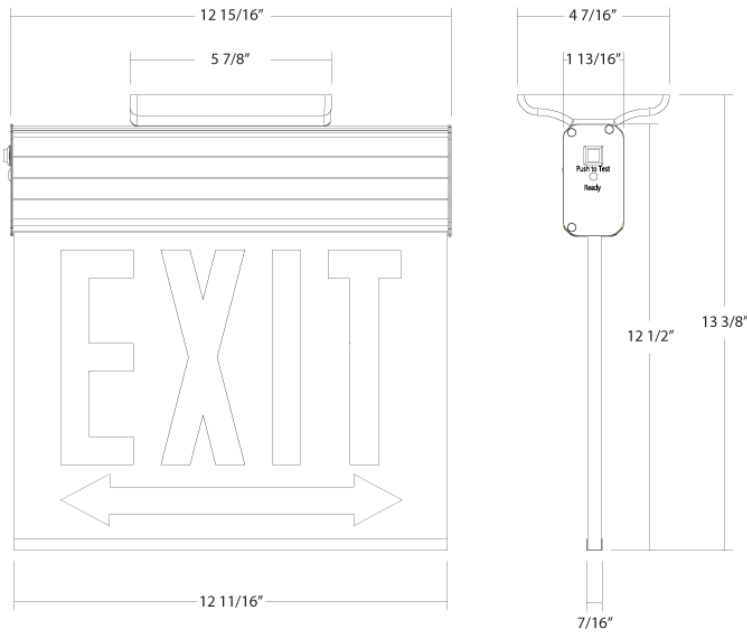
Note:

All values are typical (tolerance +/- 10%)

Buy American Act Compliance:

RAB values USA manufacturing! Upon request, RAB
may be able to manufacture this product to be
compliant with the Buy American Act (BAA). Please
contact customer service to request a quote for the
product to be made BAA compliant.

Dimensions



Ordering Matrix

Family	Face	Exit Sign Letter Color	Panel	Housing	Self Testing	State	Battery Backup
EXITEDGE			WP			CH	/E
	Blank = 2 Faces 1 = 1 Face	Blank = Red G = Green	Blank = Clear Panel MP = Mirror Panel WP = White Panel	Blank = Aluminum Housing W = White Housing	Blank = No Self Testing S = Self Testing	Blank = No State CH = Chicago NY = New York	Blank = No Battery Backup /E = Battery Backup