

Color: White

Weight: 3.2 lbs

Project:	Type:
Prepared By:	Date:

## Technical Specifications

### Performance

**Product Type:**

Edge-lit Exit Sign

**Description:**

Edge-lit exit sign with a double face with green letters.

**Input Wattage:**

3.3W @120V and 277V

### Electrical

**Power Factor:**

≥0.9

**Input Voltage:**

Dual 120/277Vage

**Operating Frequency:**

60Hz

**Input Current @ 120V (mA):**

31mA

**Input Current @ 277V (mA):**

15mA

**Operating Temperature:**

32°F to 122°F (0°C to 50°C)

**Battery Backup:**

AC Only

**Storage Temperature:**

68°F to 86°F (20°C to 30°C)

**Self Diagnostics:**

Manual Test

### Installation

**Mounting Method:**

Back/Top/End

**Mounting Type:**

Wall/Ceiling Mount

**Cold Weather Rated:**

No

### Construction

**Shape:**

Rectangle

**Housing Material:**

Aluminum

**Panel Material:**

Acrylic

**Panel Color:**

White

**Letter Color:**

Green

**Housing Finish:**

White

**Number of Faces:**

Double Face

**Sign Format:**

Edge-lit

**Remote Capacity:**

No Remote Capacity

### Compliance

**Listings:**

UL924 Listed, NFPA 101 (current Life Safety Code), NEC and OSHA illumination standards

**Environment:**

Suitable for indoor use in dry and damp environments

**IP Rating:**

Indoor

**Model Number for Certification:**

ELXTEU2GW

## Technical Specifications (continued)

### T20 Compliant:

Can be used to conform with the requirements of California Title 20

### California Title 24 JA8 Compliant:

Not applicable

### California Energy Commission (CEC) Status:

Lawful for Sales in California

### FCC:

Complies with Part 15B of the FCC Rules

### Other

---

#### Warranty:

RAB warrants that our LED products will be free from defects in materials and workmanship for a period of five (5) years from the date of delivery to the end user, including coverage of light output, color stability, driver performance and fixture finish. RAB's warranty is subject to all terms and conditions found at [rablighting.com/warranty](http://rablighting.com/warranty).

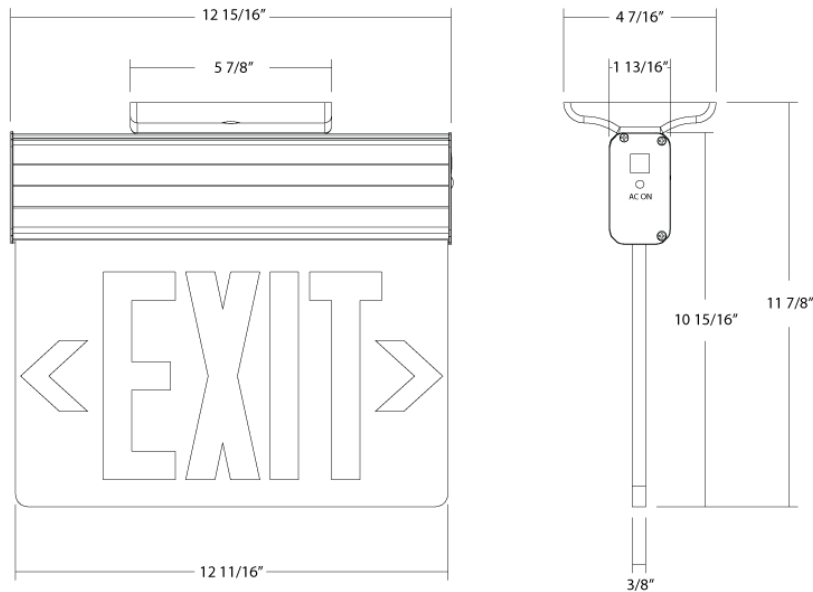
#### Note:

All values are typical (tolerance +/- 10%)

#### Buy American Act Compliance:

RAB values USA manufacturing! Upon request, RAB may be able to manufacture this product to be compliant with the Buy American Act (BAA). Please contact customer service to request a quote for the product to be made BAA compliant.

## Dimensions



Ordering Matrix

Family	Face	Exit Sign Letter Color	Panel	Housing	Self Testing	State	Battery Backup
EXITEDGE		G	WP	W			
	Blank = 2 Faces 1 = 1 Face	Blank = Red G = Green	Blank = Clear Panel MP = Mirror Panel WP = White Panel	Blank = Aluminum Housing W = White Housing	Blank = No Self Testing S = Self Testing	Blank = No State CH = Chicago NY = New York	Blank = No Battery Backup /E = Battery Backup