



Color: Mirror

Weight: 3.2 lbs

Project:	Type:
Prepared By:	Date:

Technical Specifications

Performance

Product Type:

Edge-lit Exit Sign

Description:

Edge-lit exit sign with a double face with green letters.

Input Wattage:

3.3W @120V and 277V

Electrical

Power Factor:

≥0.9

Input Voltage:

Dual 120/277Vage

Operating Frequency:

60Hz

Input Current @ 120V (mA):

31mA

Input Current @ 277V (mA):

15mA

Operating Temperature:

32°F to 122°F (0°C to 50°C)

Battery Backup:

AC Only

Storage Temperature:

68°F to 86°F (20°C to 30°C)

Self Diagnostics:

Manual Test

Installation

Mounting Method:

Back/Top/End

Mounting Type:

Wall/Ceiling Mount

Cold Weather Rated:

No

Construction

Shape:

Rectangle

Housing Material:

Aluminum

Panel Material:

Acrylic

Panel Color:

Mirror

Letter Color:

Green

Housing Finish:

Aluminum

Number of Faces:

Double Face

Sign Format:

Edge-lit

Remote Capacity:

No Remote Capacity

Compliance

Listings:

UL924 Listed, NFPA 101 (current Life Safety Code), NEC and OSHA illumination standards

Environment:

Suitable for indoor use in dry and damp environments

IP Rating:

Indoor

Model Number for Certification:

ELXTEU2GMA

Technical Specifications (continued)

T20 Compliant:

Can be used to conform with the requirements of California Title 20

California Title 24 JA8 Compliant:

Not applicable

California Energy Commission (CEC) Status:

Lawful for Sales in California

FCC:

Complies with Part 15B of the FCC Rules

Other

Warranty:

RAB warrants that our LED products will be free from defects in materials and workmanship for a period of five (5) years from the date of delivery to the end user, including coverage of light output, color stability, driver performance and fixture finish. RAB's warranty is subject to all terms and conditions found at rablighting.com/warranty.

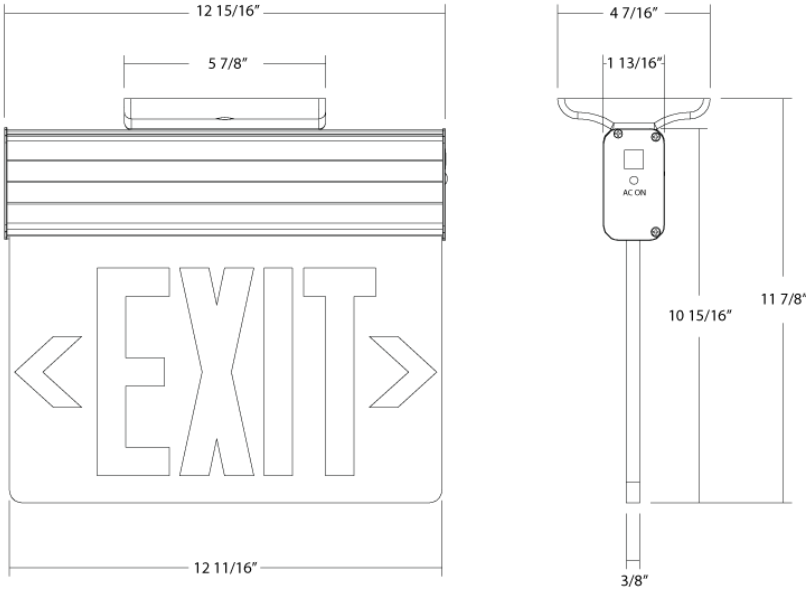
Note:

All values are typical (tolerance +/- 10%)

Buy American Act Compliance:

RAB values USA manufacturing! Upon request, RAB may be able to manufacture this product to be compliant with the Buy American Act (BAA). Please contact customer service to request a quote for the product to be made BAA compliant.

Dimensions



Ordering Matrix

Family	Face	Exit Sign Letter Color	Panel	Housing	Self Testing	State	Battery Backup
EXITEDGE		G	MP				
	Blank = 2 Faces 1 = 1 Face	Blank = Red G = Green	Blank = Clear Panel MP = Mirror Panel WP = White Panel	Blank = Aluminum Housing W = White Housing	Blank = No Self Testing S = Self Testing	Blank = No State CH = Chicago NY = New York	Blank = No Battery Backup /E = Battery Backup