



Project:	Type:
Prepared By:	Date:

Technical Specifications

Performance

Product Type:

EV Charger Accessories

Description :

Double Cable Mgt Add-On 16Ft

Construction

Dimensions (L x W x H inch):

18.90 x 10.04 x 34.25

Finish:

Powder painting

Material:

Steel

Color:

White

Tamper Resistant:

Yes

Wall Thickness (inch):

0.125

Installation

Mounting:

Pedestal

Bolt Circle:

M8

Anchor Bolts:

M8 x 20L

Pre-Shipped Anchor Bolts:

No

Installation Hardware:

Yes

Compliance

RoHS:

Mercury and UV free. RoHS-compliant components.

Other

Compatible Accessories:

EVC48 48A AC Charger

3 Yr Limited Warranty:

RAB warrants that our products will be free from defects in materials for a period of three (3) years from the date of delivery to the end user. RAB's warranty is subject to all terms and conditions found at rablighting.com/warranty

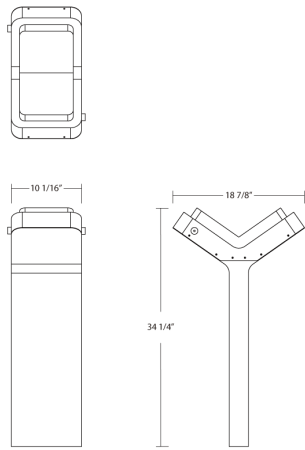
Note:

All values are typical (tolerance +/- 10%)

Buy American Act Compliance:

RAB values USA manufacturing! Upon request, RAB may be able to manufacture this product to be compliant with the Buy American Act (BAA). Please contact customer service to request a quote for the product to be made BAA compliant.

Dimensions



Features

- Cable Retractors are made from heavy duty die-casted metal, which makes them more reliable and longer lasting
- Cable Management System comes with a pedestal extension to raise the height of the cable completely off the ground