



Color: Silver

Weight: 13.8 lbs

Project:	Type:
Prepared By:	Date:

Technical Specifications

Performance

Product Type:
EVC Level 2, 32A Series

Description:
32A / 7.6 kw Residential Charger / 25' Cord / No display, LED indicator light

Output Power:
7.6 kW

Power Configuration Settings:
Max 32A

Electrical

Charging Interface:
SAEJ1772 Type 1

Input Current:
32A

Operating Frequency:
50/60Hz

Input Voltage:
200-240V, Single Phase

AC Input Connection:
NEMA 14-50 plug

Output Current:
32A (max)

Operating Temperature:
-22°F to 131°F (-30°C to + 55°C)

Humidity:
Max 90%

Input Side Protection:
Leakage protection, Over-voltage protection, Over current protection, Under-voltage protection, Short circuit protection, Over temperature protection

Output Side Protection:
Leakage protection, Over-voltage protection, Over current protection, Under-voltage protection, Automatic full charge protection, Control pilot fault protection, Short circuit protection, Over temperature protection

Internal Protection:
OTP, Relay Welding Detection, CCID Self-Test, MCU Function Fault Detection

Rating of Branch Circuit Breaker:
50A

Input Wire Size:
8 AWG

Metering Accuracy:
Meter IC (1% Accuracy)

Constr

Display Screen:
No Display

Construction

Number of Ports:
Single

Charging Cable:
25 ft

Finish:
Silver

Tamper Resistant:
IK08 rated to protect the unit against external impacts

Listings:
ETL Listed

Installation

Mounting:
Wall

Hardwired:
No

Technical Specifications (continued)**Compliance****Shock Protection:**

CCID20. A charging circuit interrupting device (CCID) automatically interrupts the circuit when the current reaches or exceeds the threshold current of 20mA.

OpenADR:

No

IP Rating:

Ingress protection rating of IP65 for dust and water

NEMA Rating:

Type 4, weatherproof protection

California Type Evaluation Program (CTEP):

No

Energy Star Approved:

Yes

Energy Star ID:

3417943

RoHS:

Mercury and UV free. RoHS-compliant components.

FCC:

Complies with Part 15 of the FCC Rules

Other**Compatible Accessories:**

EVPS Single Pedestal Base
EVPD Dual Pedestal Base

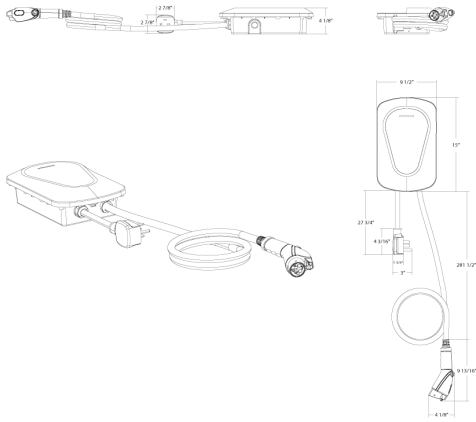
Warranty:

Electric Vehicle Charger products will be free from defects in materials and workmanship for a period of (3) years from the date of original sale to RAB's distributor. The product shall be considered defective only if it cannot be brought back to service by assistance from RAB technical product support representative. If you have a technical issue or question regarding warranty, call our technical support team at RAB Help line. Exceptions apply as stated on product specification sheets incorporated herein by reference. Defects in material or workmanship do not include improper installation or operation, alterations, power surges or overheating due to external conditions. Defects caused by acts of vandalism and incidents beyond control of manufacturer resulting in inoperability of the electric vehicle charger are not covered by the material or workmanship warranty.

Buy American Act Compliance:

No

Dimensions



Features

- 32A-7.2kW Single Phase
- IP65/NEMA Type4/IK08 Protection
- Plug and Play

Ordering Matrix

Family	Max. Current	Cable Length	Nozzle
EVC	32		

32 = 32A Output Blank = 25 ft Blank = J1772
 40 = 40A Output